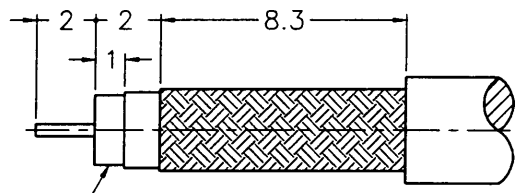


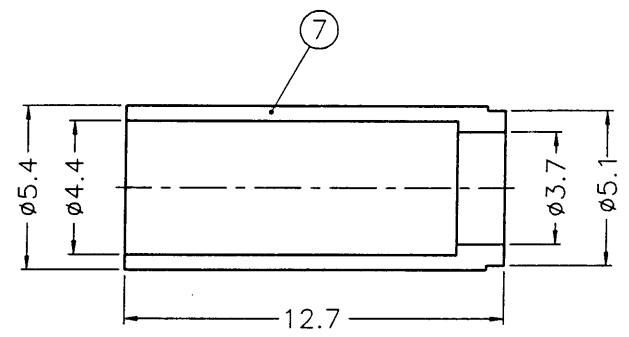
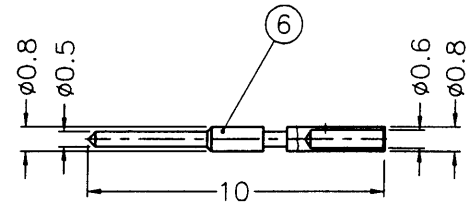
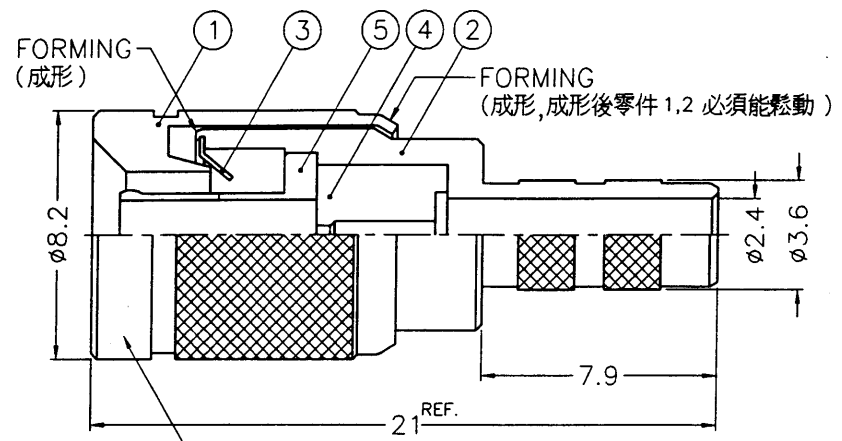
REVISIONS		
ISS	ZONE	DESCRIPTION\PER REQUEST\DATE
B	B-1	NO.6 WAS CHANGED\RD-DM90070201C\07-02-01'



REMOVE FOIL 1mm MIN.  
(去除箔襯1mm以上)

RECOMMENDED  
CABLE STRIPPING DIM'S  
(建議剝線尺寸)

**SALES**



STAMP (IF ANY)  
噴字 (若有要求)

- NOTES: FINISH (PLATING THICKNESS IN MICRO-INCHES)
- BRASS PER QQ-B-626
  - BERYLLIUM COPPER PER QQ-C-530
  - NICKEL PL. 100 MIN. THICK OVER COPPER STRIKE
  - GOLD PL. 3 MIN. THICK OVER NICKEL PL. 100 MIN. THICK OVER COPPER STRIKE
  - TEFLON MIL-P-19468
  - JIS H 3260, C 3501

ISSUED  
2001. 7. 03  
R&D

- CRIMPED FERRULE  
HEX CRIMP SIZE .178"
- CONTACT PIN TO SOLDER

NO.	DESCRIPTION	MATERIAL	FINISH	Q'TY	DRAWING NO.
7	FERRULE	NOTE 6	NOTE 3	1	FR-54/44-51/37 X127
6	CONTACT PIN	NOTE 1	NOTE 4	1	1231121D2-6-08 /06
5	OUT CONTACT	NOTE 2	NOTE 4	1	1231121D1-6-B
4	INSULATOR	NOTE 5	NATURAL	1	1231121D2-4T -75
3	SPRING	NOTE 2	NATURAL	1	123-PLUG-SPR
2	BODY	NOTE 1	NOTE 3	1	1231121D3-2-36/24
1	SHELL	NOTE 1	NOTE 3	1	1231121D2-1

DIMENSIONS ARE IN MILLIMETERS				PART NO.	
UNLESS OTHERWISE SPECIFIED TOLERANCES				APPROVED <i>Mark C</i> DATE 07-02-01'	
0.5-6 = ±0.2				CHECKED <i>Jackey</i> DATE 07-02-01'	
6-30 = ±0.4				DRAWN <i>Ma</i> DATE 07-02-01'	
30-120 = ±0.6					
120-315 = ±1					
315-1000 = ±1.6					
1000-2000 = ±2.4					

<b>Amphenol - Kai Jack</b>	
TAINAN TAIWAN	
TITLE	1.0/2.3 CRIMP PLUG (FOR AT&T 735A CABLE)
DRAWING NO.	KJ-1231121D3-N/3GT3G-735A-75
FILE NO.	F:\DWG\123\1121D3\735A-75\N3GT3G