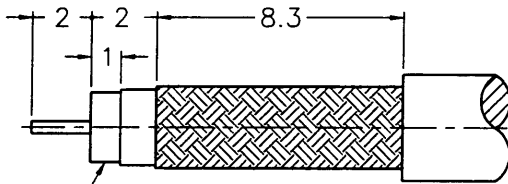


1 2 3 4 5 6 7 8

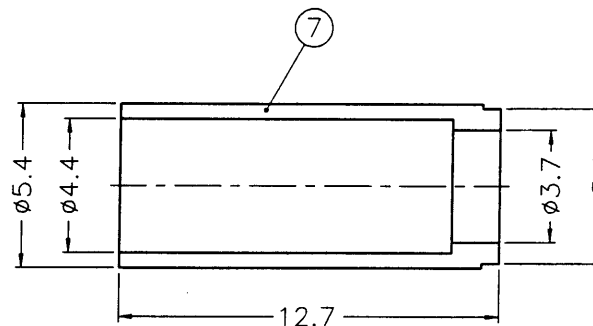
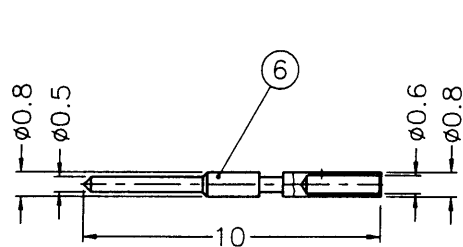
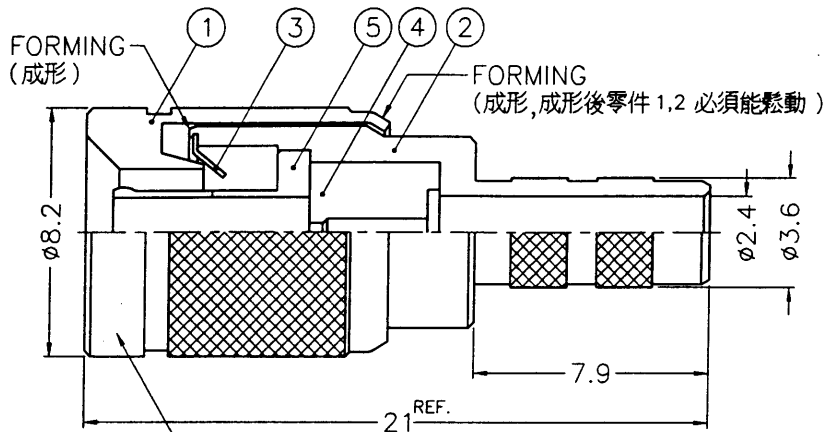
REVISIONS			
ISS	ZONE	DESCRIPTION\PER REQUEST\DATE	
B	B-1	NO.6 WAS CHANGED\RD-DM90070201C\07-02-01'	



REMOVE FOIL 1mm MIN.  
(去除箔襯1mm以上)

RECOMMENDED  
CABLE STRIPPING DIM'S  
(建議剝線尺寸)

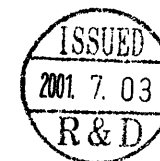
**SALES**



STAMP (IF ANY)  
噴字 (若有要求)

NOTES: FINISH (PLATING THICKNESS IN MICRO-INCHES)

- BRASS PER QQ-B-626
- BERYLLIUM COPPER PER QQ-C-530
- NICKEL PL. 100 MIN. THICK OVER COPPER STRIKE
- GOLD PL. 3 MIN. THICK OVER NICKEL PL. 100 MIN. THICK OVER COPPER STRIKE
- TEFLON MIL-P-19468
- JIS H 3260, C 3501



- CRIMPED FERRULE  
HEX CRIMP SIZE .178"
- CONTACT PIN TO SOLDER

7	FERRULE	NOTE 6	NOTE 3	1	FR-54/44-51/37 X127
6	CONTACT PIN	NOTE 1	NOTE 4	1	1231121D2-6-08 /06
5	OUT CONTACT	NOTE 2	NOTE 4	1	1231121D1-6-B
4	INSULATOR	NOTE 5	NATURAL	1	1231121D2-4T -75
3	SPRING	NOTE 2	NATURAL	1	123-PLUG-SPR
2	BODY	NOTE 1	NOTE 3	1	1231121D3-2-36/24
1	SHELL	NOTE 1	NOTE 3	1	1231121D2-1
NO.	DESCRIPTION	MATERIAL	FINISH	Q'TY	DRAWING NO.

DIMENSIONS ARE IN MILLIMETERS				PART NO.	
UNLESS OTHERWISE SPECIFIED TOLERANCES				APPROVED	DATE
0.5-6	= ±0.2	6-30	= ±0.4	<i>Mark C</i>	07-02-01'
30-120	= ±0.6	120-315	= ±1	<i>Jackey</i>	07-02-01'
315-1000	= ±1.6	1000-2000	= ±2.4	<i>Ala</i>	07-02-01'
SCALE	4/1	ISSUE	B		

Amphenol - Kai Jack	
TAINAN TAIWAN	
TITLE	1.0/2.3 CRIMP PLUG (FOR AT&T 735A CABLE)
DRAWING NO.	KJ-1231121D3-N/3GT3G-735A-75
FILE NO.	F:\DWG\123\1121D3\735A-75\N3GT3G

RD-ER/12437

F  
E  
D  
C  
B  
A

F  
E  
D  
C  
E  
A

1 2 3 4 5 6 7 8