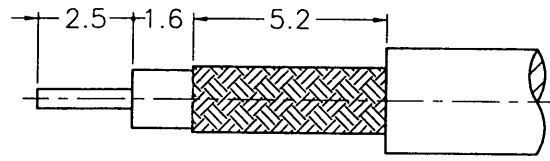
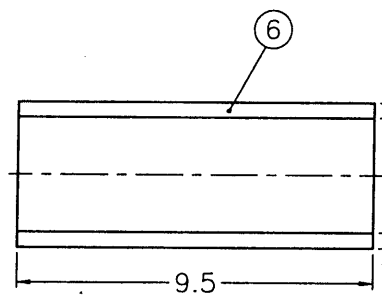
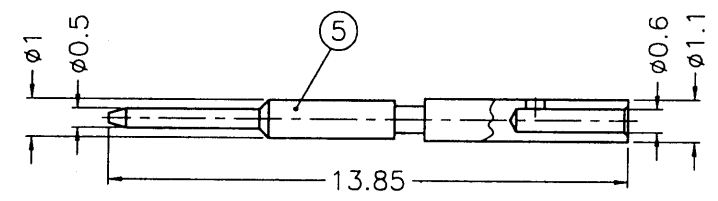
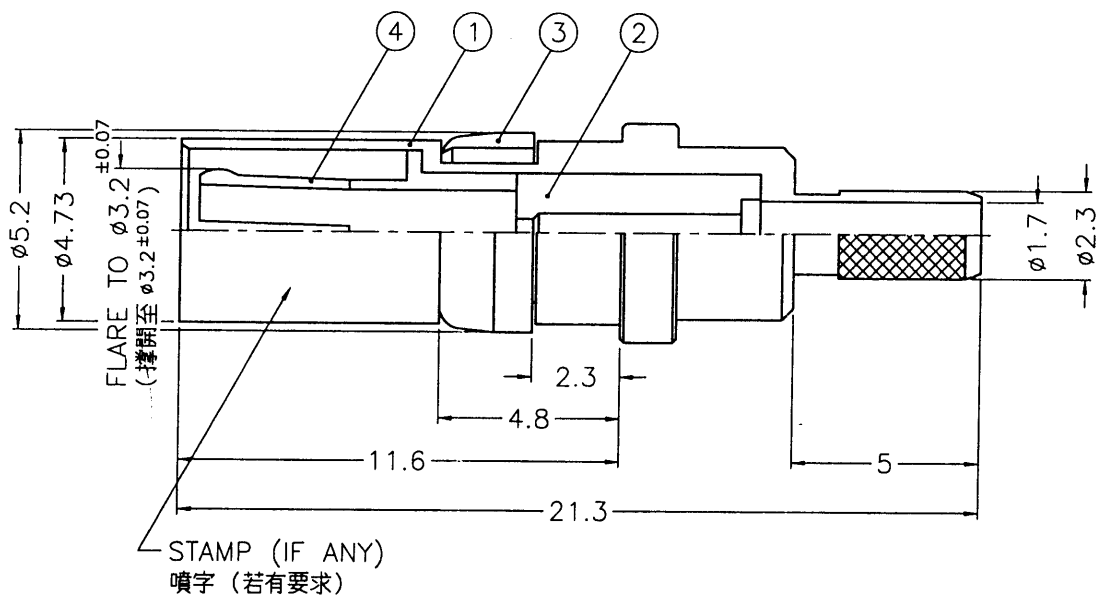


REVISIONS		
ISS	ZONE	DESCRIPTION\PER REQUEST\DATE



RECOMMENDED
CABLE STRIPPING DIM'S
(建議剝線尺寸)

SALES



ISSUED
2003.6.13
R

NOTES: FINISH (PLATING THICKNESS IN MICRO-INCHES)

- BRASS PER QQ-B-626
- GOLD PL. 3 MIN. THICK OVER NICKEL PL. 100 MIN. THICK OVER COPPER STRIKE
- NICKEL PL. 100 MIN. THICK OVER COPPER STRIKE
- PHOSPHOR BRONZE PER QQ-B-750
- GOLD PL. 30 MIN. THICK OVER NICKEL PL. 100 MIN. THICK OVER COPPER STRIKE
- TEFLON MIL-P-19468

- CRIMPED FERRULE
HEX. CRIMP SIZE .128"
- CONTACT PIN TO SOLDER

NO.	DESCRIPTION	MATERIAL	FINISH	Q'TY	DRAWING NO.	SCALE	5/1	ISSUE	A	FILE NO. F:	PART NO.	APPROVED	DATE	TITLE	DRAWING NO.	ITEM NO.	
6	FERRULE	COPPER	NOTE 3	1	FR-38/3X95C	DIMENSIONS ARE IN MILLIMETERS UNLESS OTHERWISE SPECIFIED TOLERANCES 0.5-6 = ± 0.2 6-30 = ± 0.4 30-120 = ± 0.6 120-315 = ± 1 315-1000 = ± 1.6 1000-2000 = ± 2.4								Amphenol Danbury,CT,USA-Tainan,Taiwan-Shenzhen,China	1.0/2.3 CRIMP PLUG (FOR RG-174/U, 188A/U, 316/U)	1231121B1-N/3GT30G-316U-50	101111AAV36NP5F
5	CONTACT PIN	NOTE 1	NOTE 5	1	1231121B1-5-11/06							Andy.C	06-12-03'				
4	OUTER CONTACT	NOTE 4	NOTE 2	1	96082301-2PB							Andy.C	06-12-03'				
3	RETAINER RING	NOTE 1	NOTE 3	1	SZ1111C1-5-C												
2	INSULATOR	NOTE 6	NATURAL	1	1231121B1-2T-50												
1	BODY	NOTE 1	NOTE 3	1	1231121B1-1-23/17							Joyce J	06-12-03'				