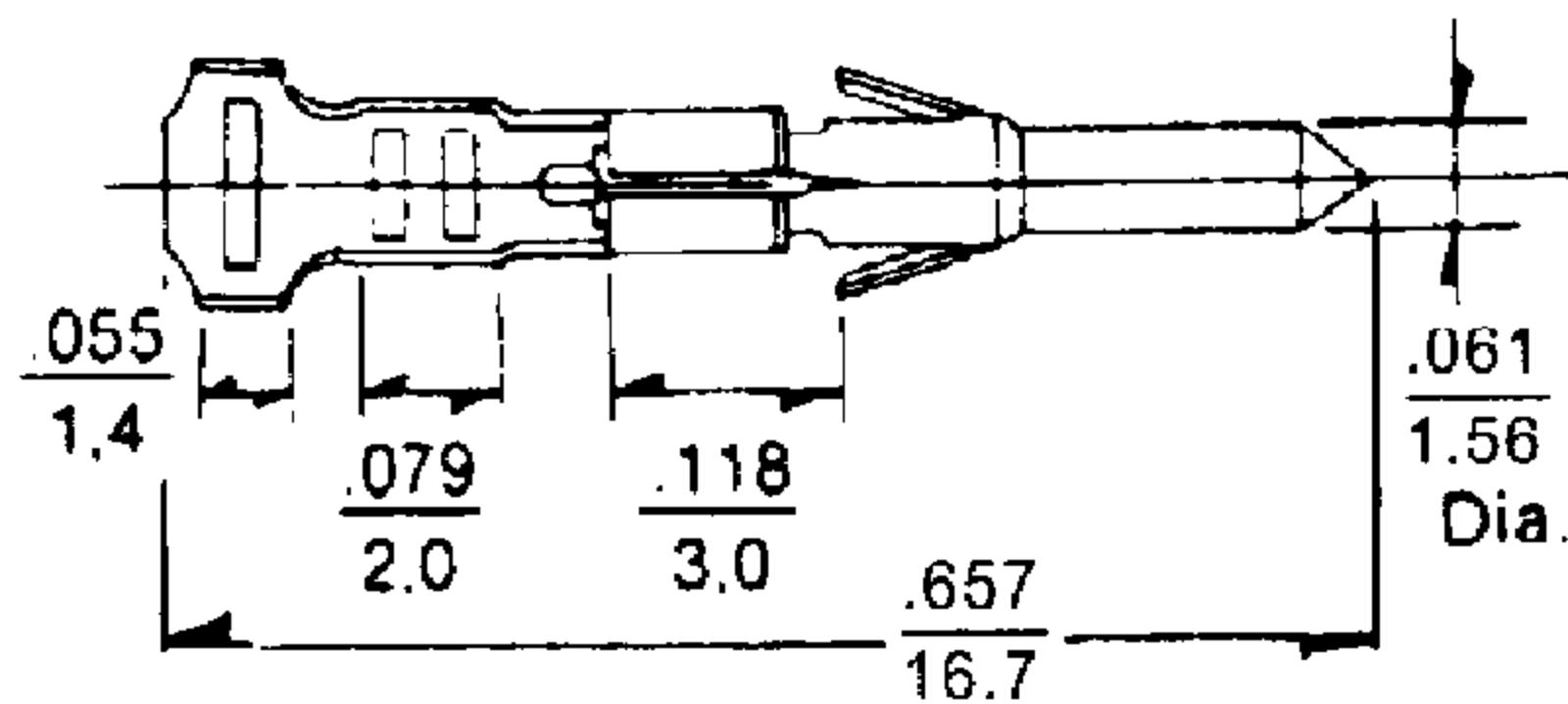


.062" (1,58mm) Connectors

Mini Fit Series Terminals

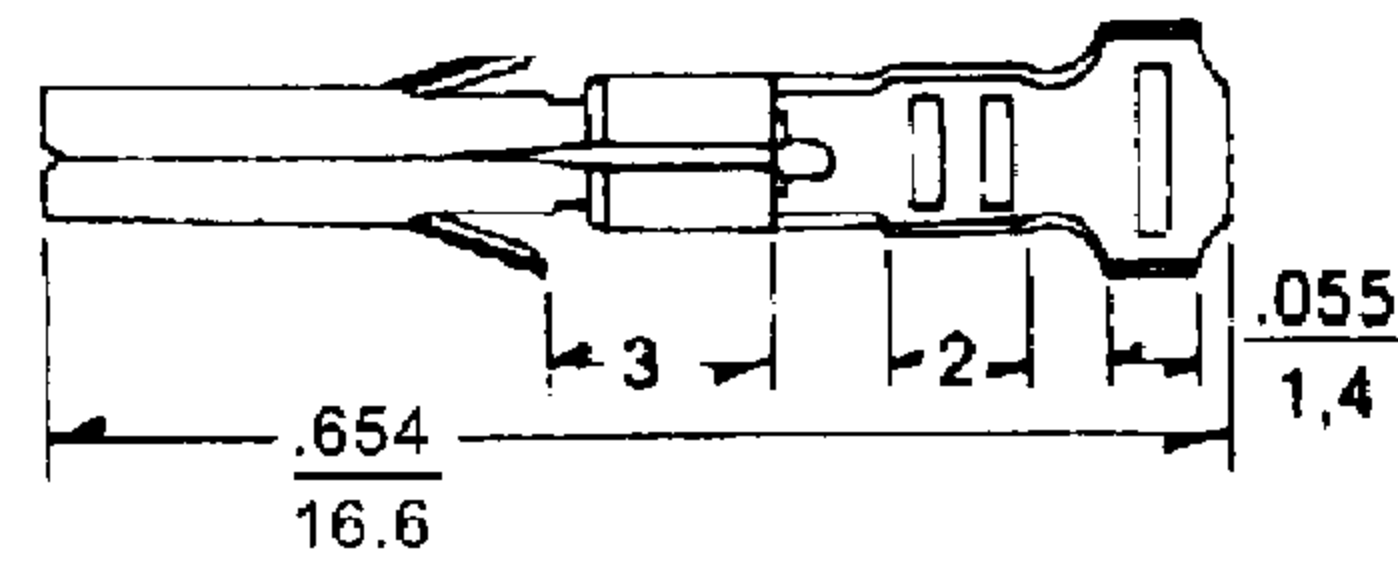
48001H-N
(for 36801H-N Housings)
36801H-N-V

48001TM



Tin Plated Brass Terminal

48001TF



Tin Plated Brass Terminal

48001H-N Mini-Fit Pin & Socket Connectors

Features/Dimensions:

- .062" (1,58mm) diameter pin and socket
- 2, 3, 4, 6, 9, 12 and 15 circuits
- Positive lock
- UL 94V-2 material - natural color

Shielding sleeve design on both plug and receptacle isolates each terminal and assures a .16" (4mm) over-surface and .12" (3mm) through-air spacing between terminals. Spacing between the back of the terminals' crimped section and the closest point to which it could meet a metal panel is .16" (4mm). Terminals used are the standard .062" (1,58mm) diameter pin and socket.

The 48001H Mini-Fit connectors are available with integrally molded mounting ears for fast snap-lock panel mounting. They are designed so that the connectors cannot be misconnected. For additional polarity, the pin and socket terminals can be inserted in either a plug or receptacle.

48001H Mini-Fit connectors have been developed to meet the demands of miniaturization, high reliability and safety requirements.

48001HF-N
48001HFE-N

48001HM-N

Circuits	Max. Rated		Dimensional Information			
	Amp	Voltage	Plug		Receptacle	
2	5A	250V	<p>48001HFE-02 (with Mtg. Ears) 48001HF-02 (without Mtg. Ears)</p>		<p>48001HM-02</p>	
3	5A	250V	<p>48001HFE-03 (with Mtg. Ears) 48001HF-03 (without Mtg. Ears)</p>		<p>48001HM-03</p>	