

.118" (3.0mm) Wire-to-Wire Crimp Terminal Housing

Specifications:

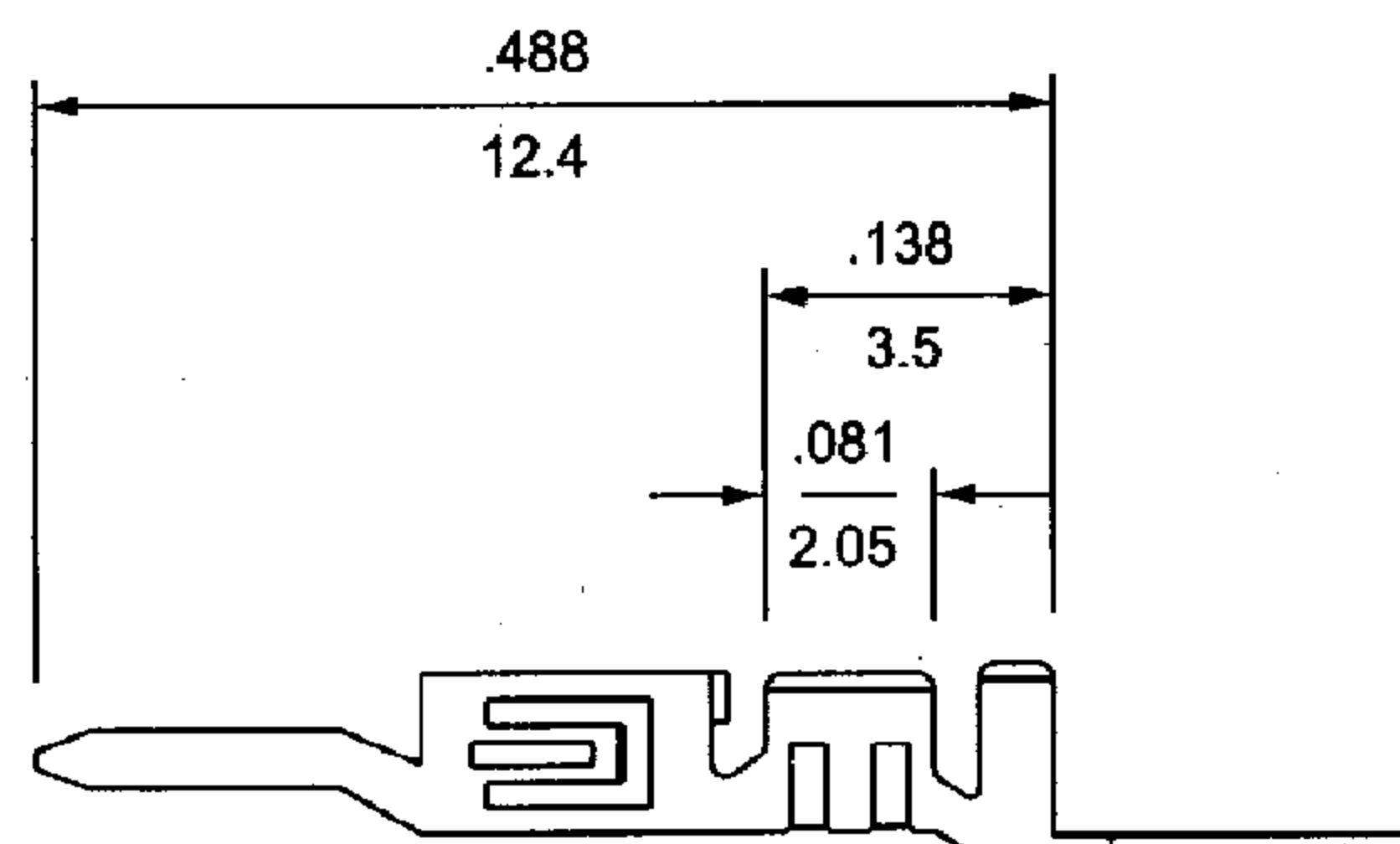
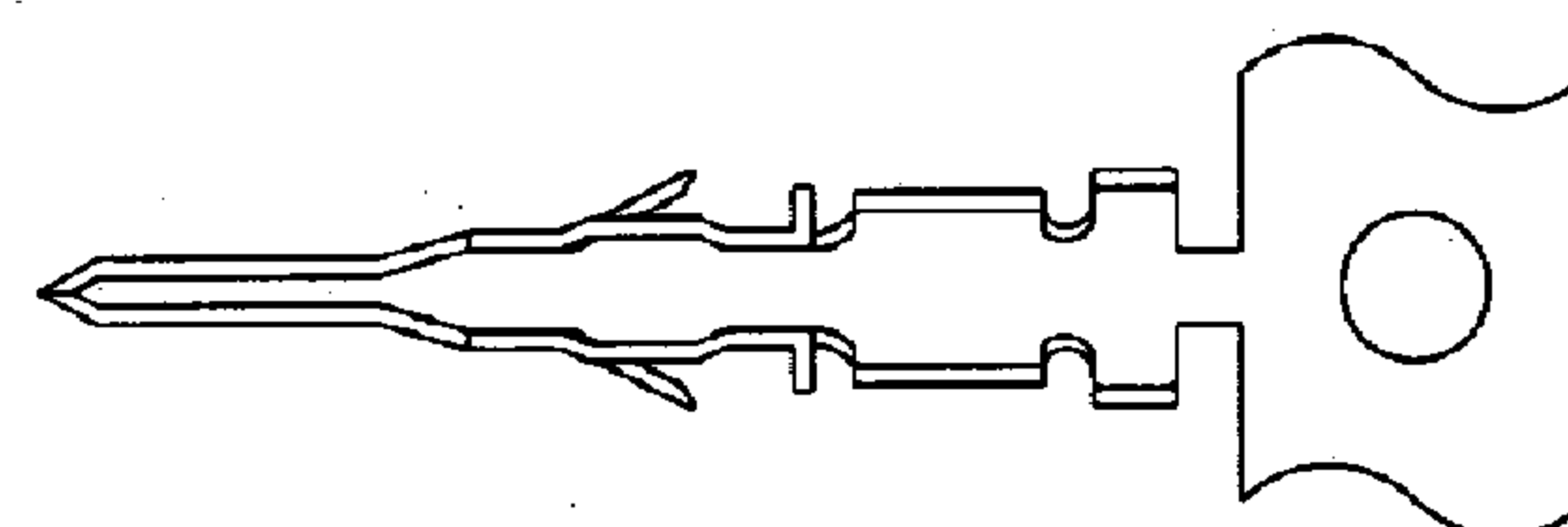
- Voltage rating: 250V AC(RMS) or DC
- Dielectric Strength: 1500V AC/minute
- Current rating:
- Insulation resistance: 1000MΩ min.
- Contact resistance: 10m Ω max.
- Temperature rise: 30°C max.
(carry rated current load)

Wire size	# 20	# 22	# 24	# 26	# 28	# 30
Ampere	5 A	5 A	4 A	3 A	2 A	1 A

30001TM

Male Crimp Terminal

- Material: Phosphor bronze
- Finished: Tin-plated or Gold flash
- Used in 30001HF-N series housings
- Wire range: AWG #20 ~ #30
- Thickness: 0.2mm



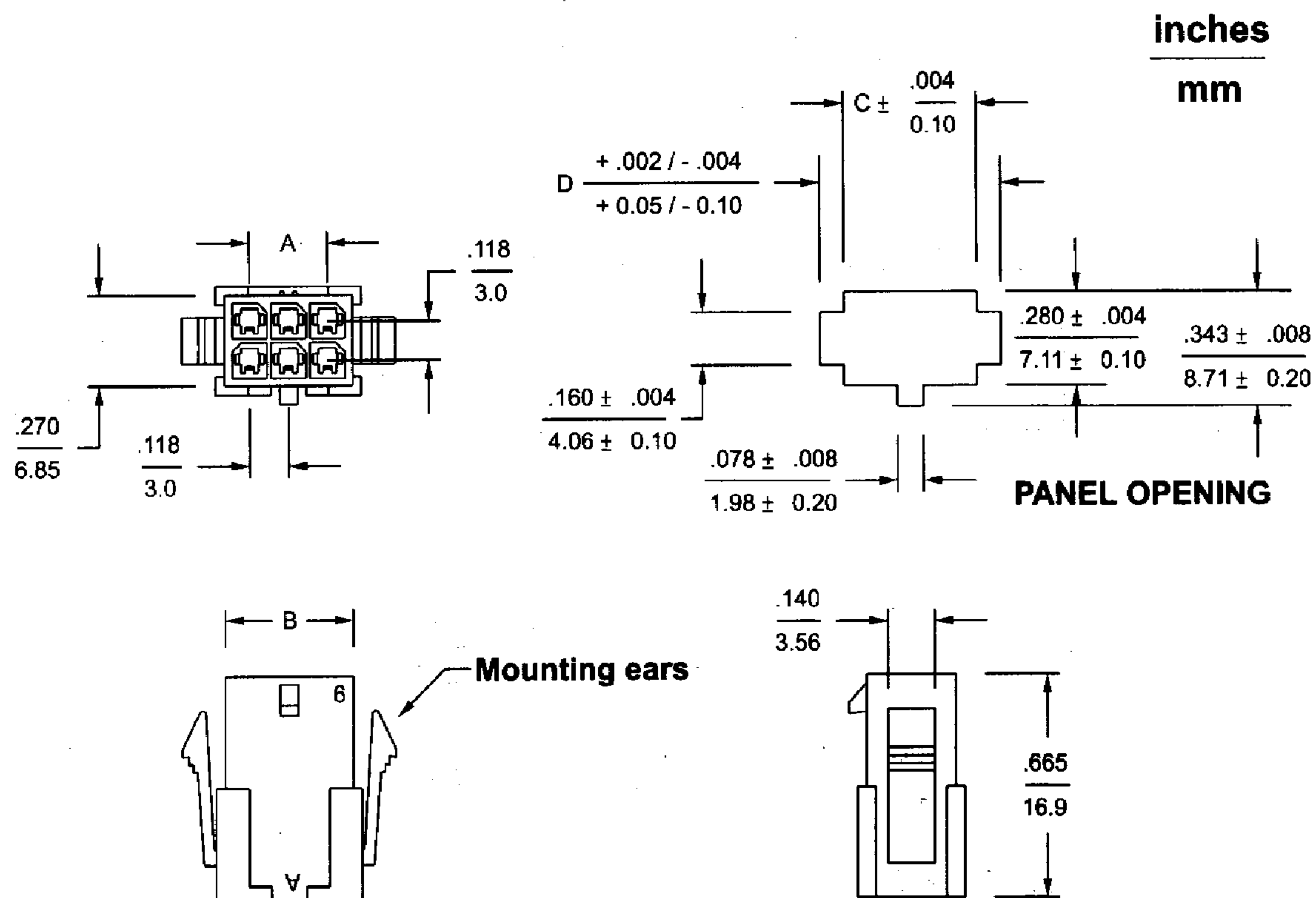
inches
mm

Ordering Information

Part No.	Finished	Wire size
30001TM-1	Tin-plated	#26 ~ #30 AWG
30001TM-2		#20 ~ #24 AWG
30001TMG-1	Gold flash	#26 ~ #30 AWG
30001TMG-2		#20 ~ #24 AWG

30001HF-N Series Dual Row Plug Housing

- Available in 2 thru 24 circuits
- Material: Polyester, UL 94V-0
- Standard color: Black
- Accepts 30001TM series terminals
- Mates with 30001HM-N series housing
- Recommended panel thickness: 1.57mm



inches
mm

Ordering Information

Part No.	Feature
30001HFE-N	With mounting ears
30001HF-N	Without mounting ears

Dimensional Information - in (mm)

Circuits	Dim. A	Dim. B	Dim. C	Dim. D	Circuits	Dim. A	Dim. B	Dim. C	Dim. D
2		0.157 (4.0)	0.166 (4.21)	0.311 (7.90)	14	0.709 (18.0)	0.866 (22.0)	0.874 (22.20)	1.019 (25.88)
4	0.118 (3.0)	0.276 (7.0)	0.284 (7.21)	0.429 (10.90)	16	0.827 (21.0)	0.984 (25.0)	0.992 (25.20)	1.137 (28.88)
6	0.236 (6.0)	0.394 (10.0)	0.402 (10.21)	0.547 (13.89)	18	0.945 (24.0)	1.102 (28.0)	1.110 (28.20)	1.255 (31.88)
8	0.354 (9.0)	0.512 (13.0)	0.520 (13.21)	0.665 (16.89)	20	1.063 (27.0)	1.220 (31.0)	1.229 (31.22)	1.373 (34.87)
10	0.472 (12.0)	0.630 (16.0)	0.638 (16.21)	0.783 (19.89)	22	1.181 (30.0)	1.339 (34.0)	1.347 (34.22)	1.491 (37.87)
12	0.591 (15.0)	0.748 (19.0)	0.756 (19.21)	0.901 (22.89)	24	1.299 (33.0)	1.457 (37.0)	1.465 (37.22)	1.609 (40.87)