

# .100" (2.54mm) Single Row Crimp Connector System

## Specifications:

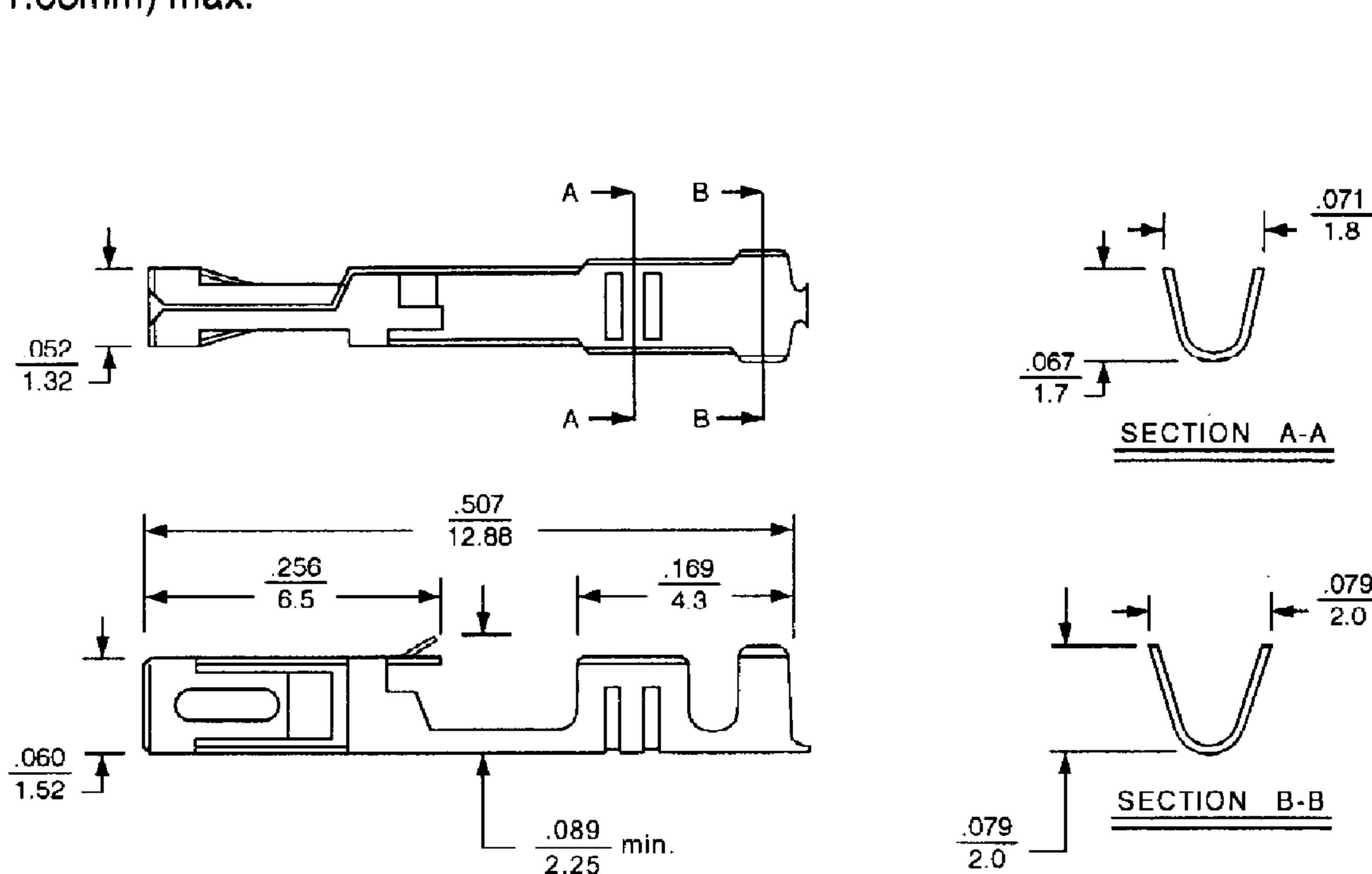
- Current Rating: 3A AC, DC
- Dielectric Withstanding Voltage: 600V (R.M.S.) AC/minute
- Contact Resistance: 15 mΩ max.
- Insulation Resistance: 10000MΩ
- Ambient Temperature Range: -40°C ~ 105°C (including temperature rise)

## 25407TF Series Box Female Crimp Terminal

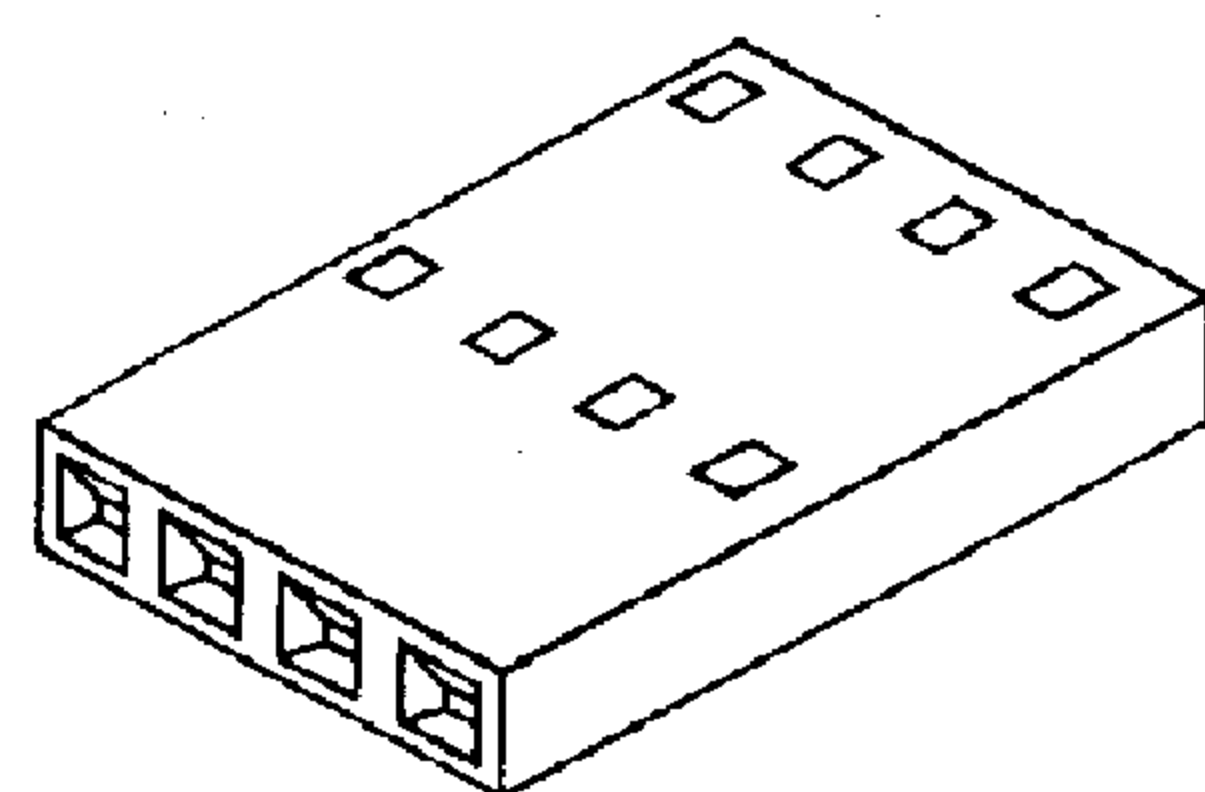
- Used in 25406HP, 25407HM housing
- Wire Range: AWG #22 ~ #24
- Finished: Tin-plated
- Material: Phosphor Bronze or Brass
- Dual beam, fully enclosed box contact with locking lance
- Insulation O.D.: .064" (φ1.63mm) max.

## Ordering Information:

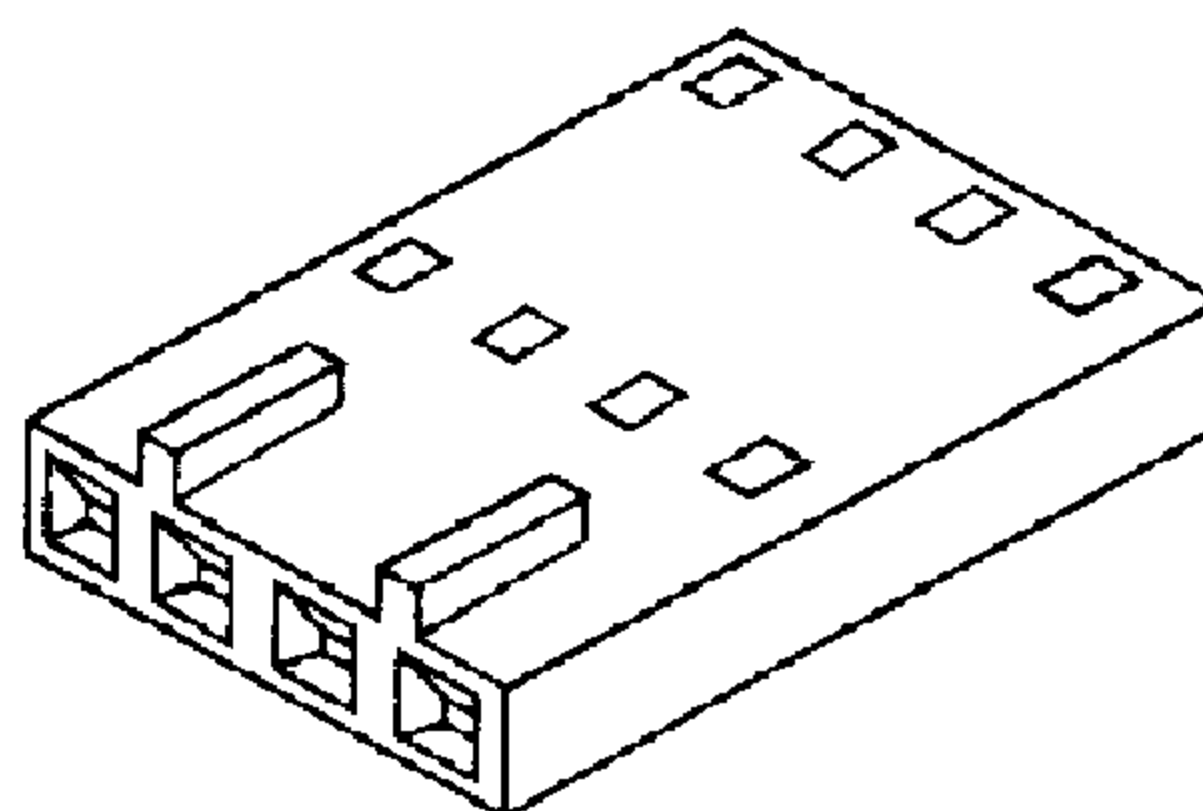
| Part No. | Material        | Thickness | Q'ty/Reel |
|----------|-----------------|-----------|-----------|
| 25407TF  | Brass           | 0.2mm     | 10000PCS  |
| 25407TFP | Phosphor bronze |           |           |



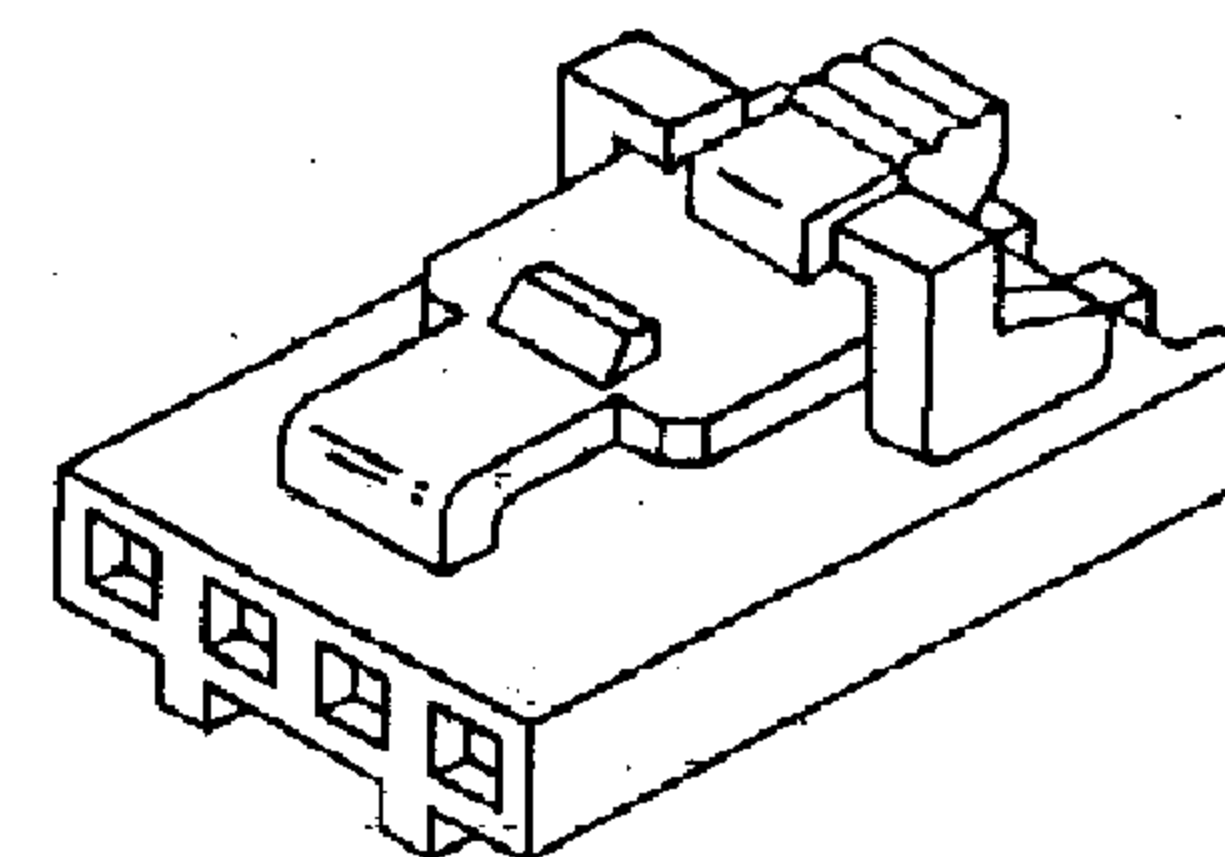
## 25407H-N Series



25407HMA



25407HMB-N



25407HMC-N