

.098" (2,5mm) Board-In Type Connectors

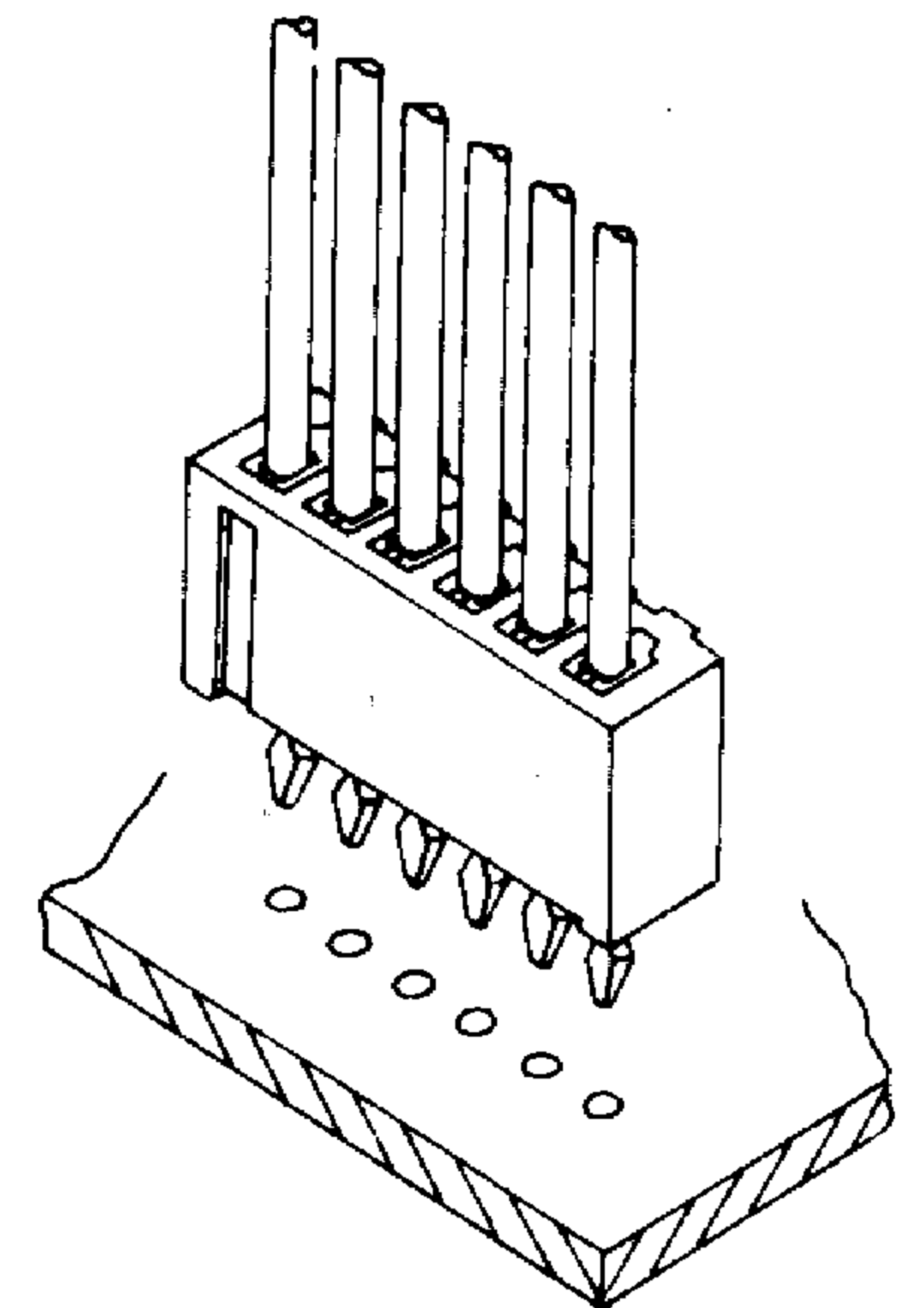
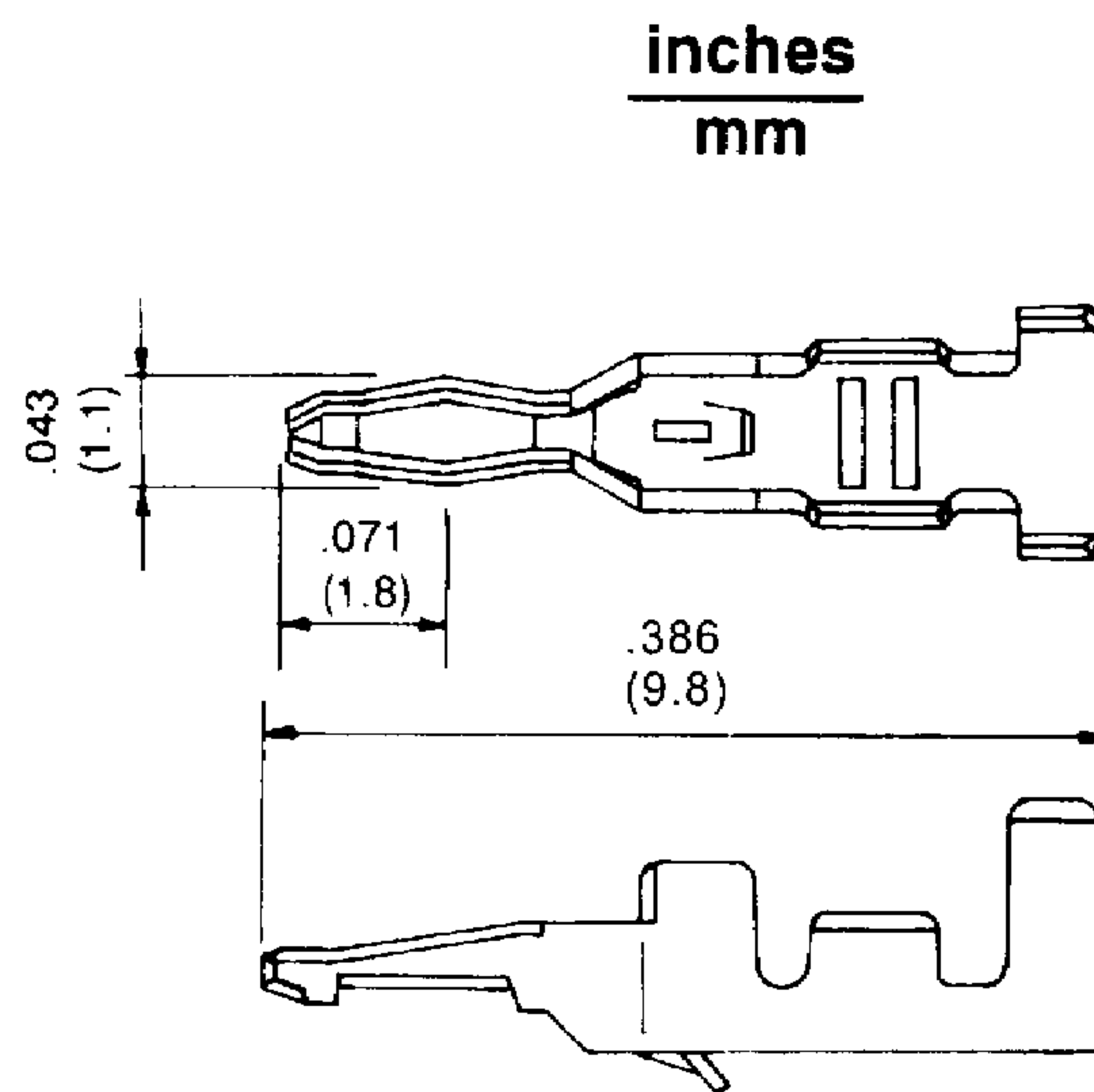
Specifications

- Current rating: 3A AC, DC
- Voltage rating: 250V AC, DC
- Temperature range: -25°C ~ +85°C
(including temperature rise)
- Insulation resistance: 1,000MΩ min.
- Withstand voltage: 800V AC/minute
- Applicable wires: AWG #28 ~ #24
- Applicable PC board thickness: .047" (1.2mm)
.063" (1.6mm)

25010TS

Crimp Terminal

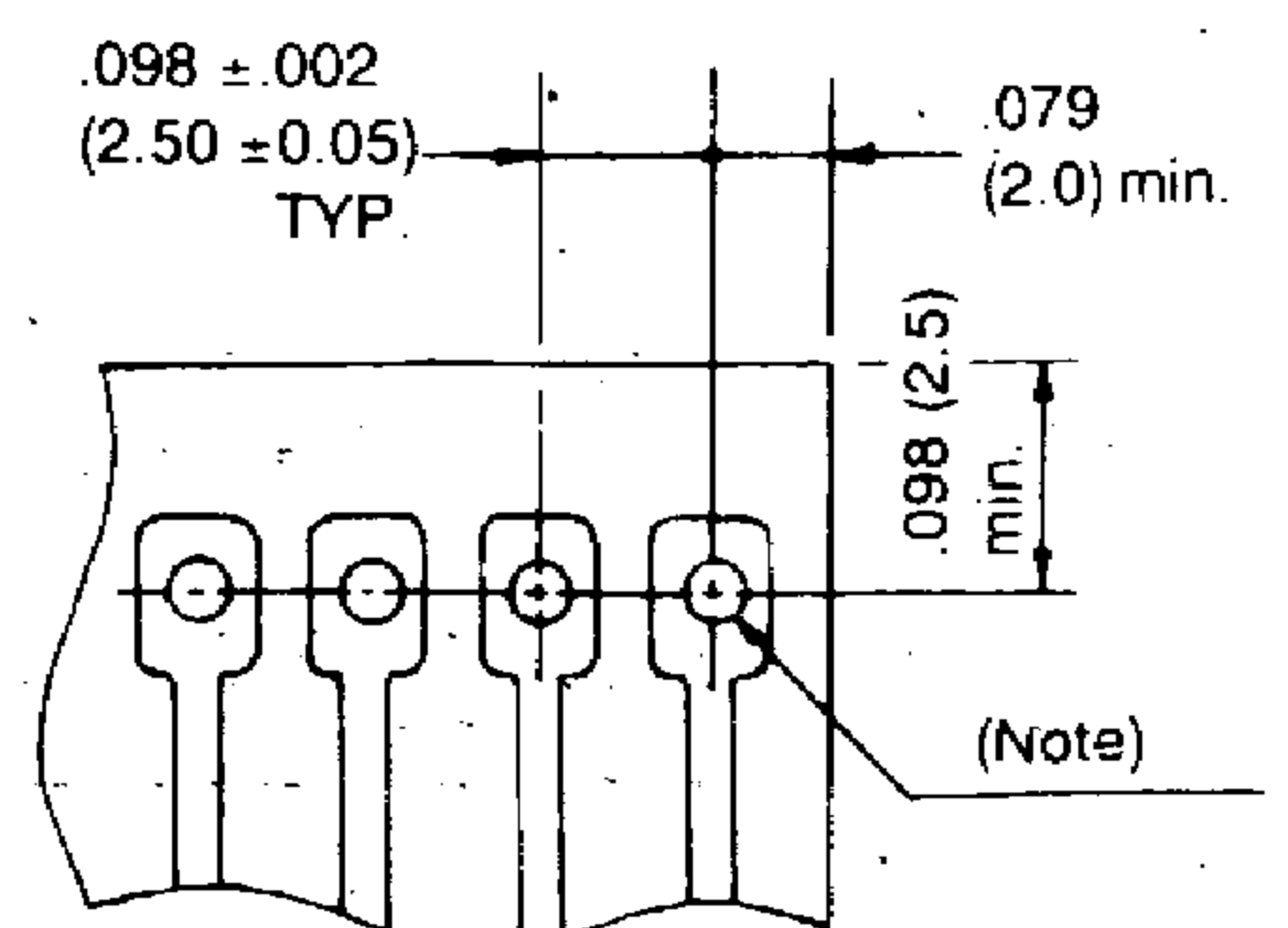
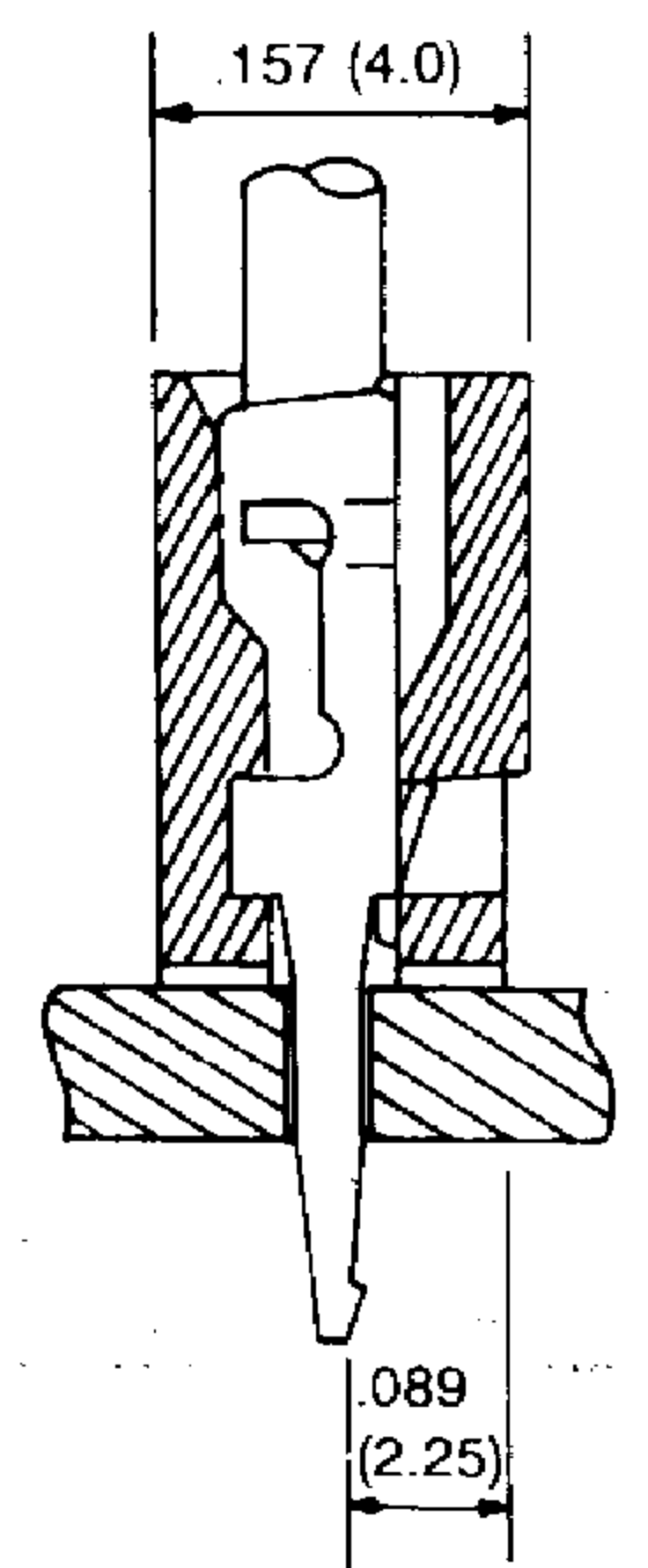
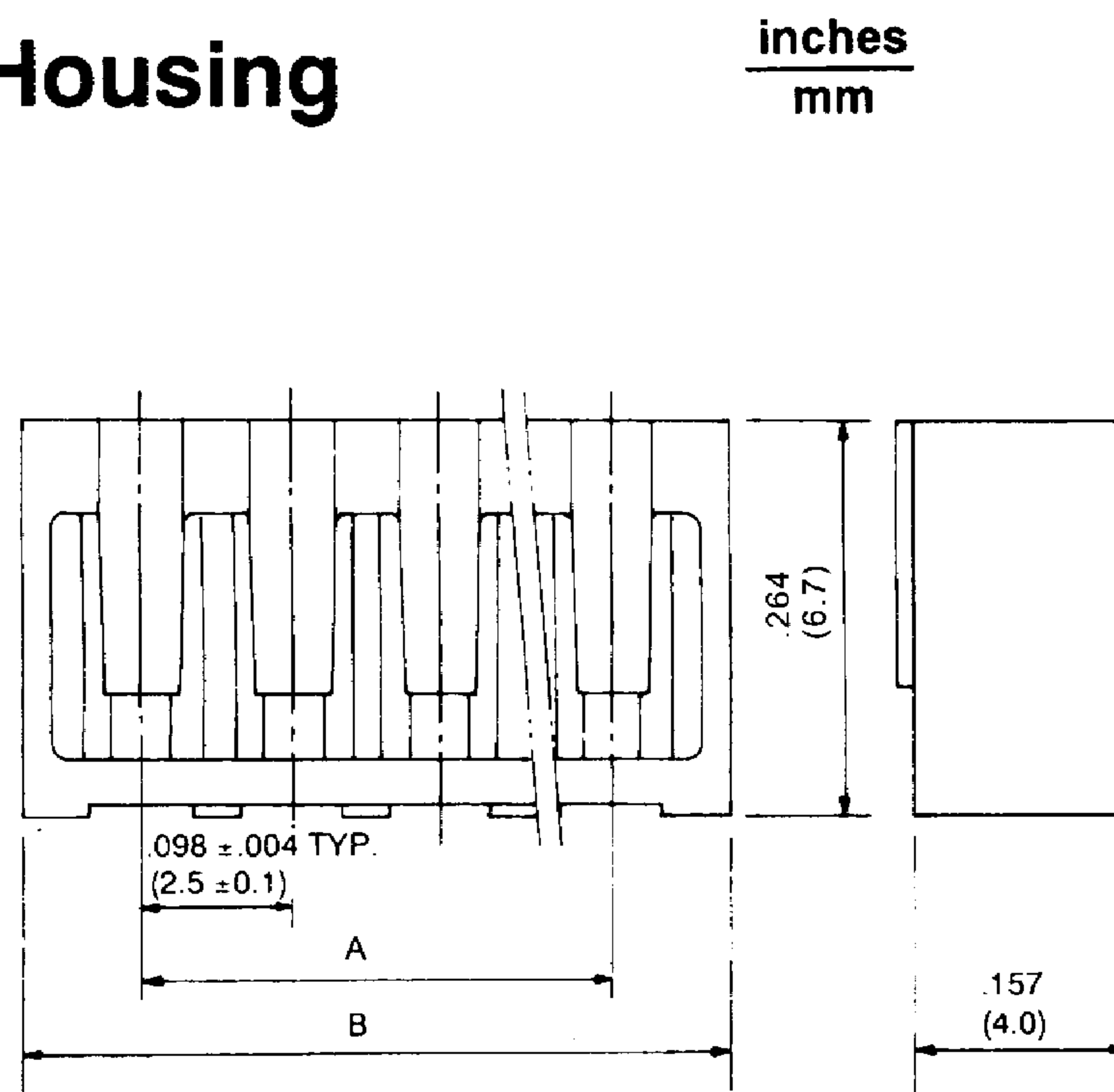
- Used in 25010HS-N series housing
- Applicable wire: AWG #28 ~ #24
- Material: Tin-plated brass
- Insulation O.D.: .035" (0.9mm) ~
.067" (1.7mm)



25010HS-N Series

Crimp Terminal Housing

- Material: 94V-0 nylon
- 2-15 circuits available
- Standard color: tan
- Accepts 25010TS terminal



Dimensional Information - in. (mm)

Circuits	Dim. A	Dim. B	Circuits	Dim. A	Dim. B
2	.098 (2.5)	.256 (6.5)	9	.787 (20.0)	.945 (24.0)
3	.197 (5.0)	.354 (9.0)	10	.886 (22.5)	1.043 (26.5)
4	.295 (7.5)	.453 (11.5)	11	.984 (25.0)	1.142 (29.0)
5	.394 (10.0)	.551 (14.0)	12	1.083 (27.5)	1.240 (31.5)
6	.492 (12.5)	.650 (16.5)	13	1.181 (30.0)	1.339 (34.0)
7	.591 (15.0)	.748 (19.0)	14	1.280 (32.5)	1.437 (36.5)
8	.689 (17.5)	.846 (21.5)	15	1.378 (35.0)	1.535 (39.0)

Note:
 2-6P: $\phi .039" \pm .002"$
 ($\phi 1.0\text{mm} \pm 0.05$)
 7P up: $\phi .039" \pm .004"$
 ($\phi 1.0\text{mm} \pm 0.1$)