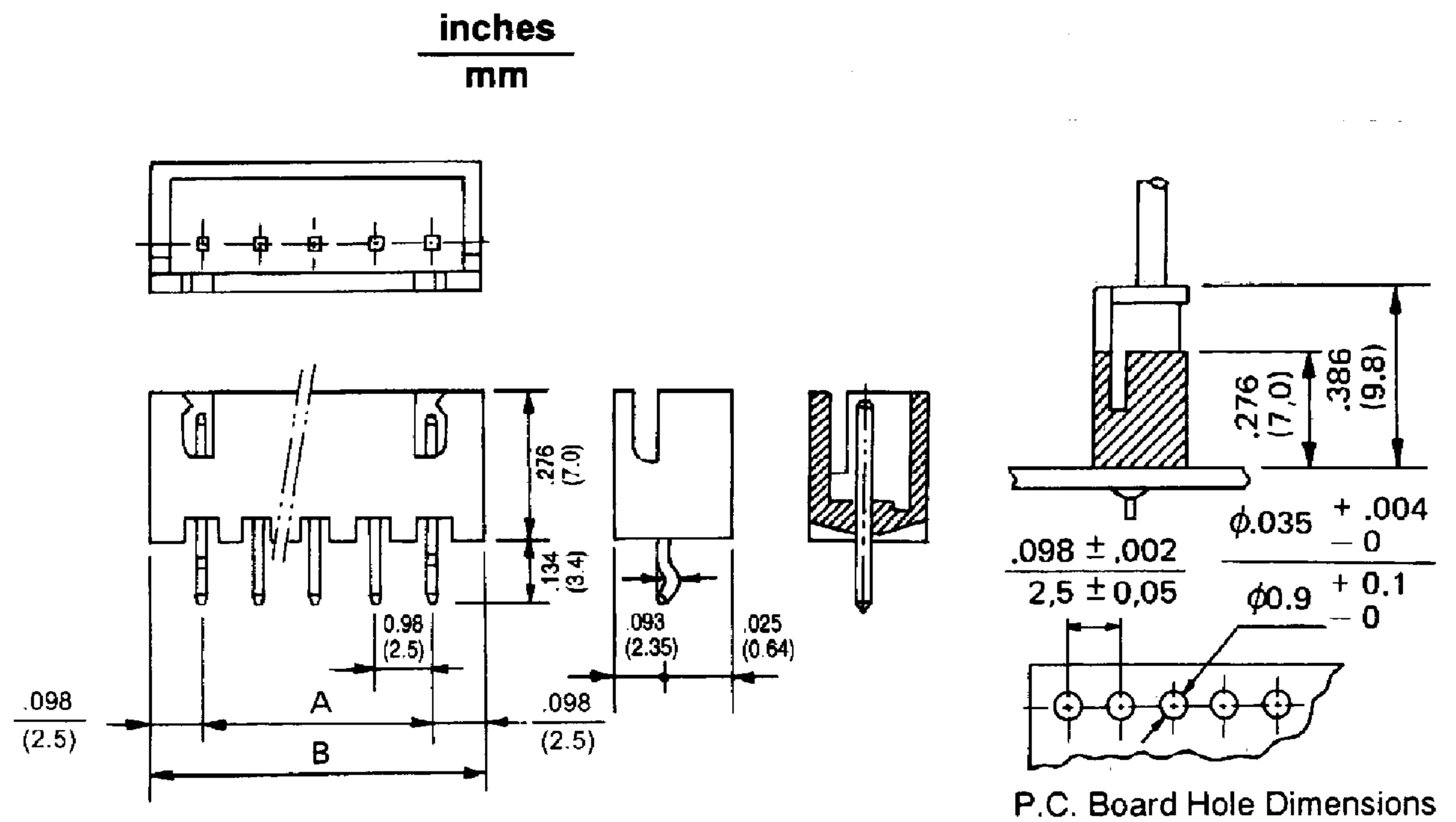


.098" (2,5 mm) Center Headers

25007WS-N Series Straight Pin Friction Lock Header

- 2-20 Circuits available
- .025" (0,64mm) straight square wire pins
- Friction lock
- 94V-0 Nylon
- Mates with 25007H-N housing
- Tin plated brass pins. Plating options available
- Applicable PC board thickness .063" (1.6mm)



Dimensional Information - in. (mm)

Circuits	Dim. A	Dim. B	Circuits	Dim. A	Dim. B	Circuits	Dim. A	Dim. B
2	.098 (2,5)	.295 (7,5)	9	.787 (20,0)	.984 (25,0)	16	1.480 (37,50)	1.680 (42,5)
3	.197 (5,0)	.394 (10,0)	10	.886 (22,5)	1.083 (27,5)	17	1.578 (40,00)	1.778 (45,0)
4	.295 (7,5)	.492 (12,5)	11	.984 (25,0)	1.181 (30,0)	18	1.680 (42,50)	1.880 (47,5)
5	.394 (10,0)	.591 (15,0)	12	1.083 (27,5)	1.280 (32,5)	19	1.778 (45,00)	1.969 (50,0)
6	.492 (12,5)	.689 (17,5)	13	1.181 (30,0)	1.378 (35,0)	20	1.880 (47,50)	2.067 (52,5)
7	.591 (15,0)	.787 (20,0)	14	1.280 (32,5)	1.480 (37,5)			
8	.689 (17,5)	.886 (22,5)	15	1.378 (35,0)	1.578 (40,0)			

25007WR-N Series Right Angle Pin Friction Lock Header

- 2-20 Circuits available
- .025" (0,64mm) right angle square wire pins
- Friction lock
- 94V-0 Nylon
- Mates with 25007H-N housing
- Tin plated brass pins. Plating options available
- Applicable PC board thickness .063" (1.6mm)

