

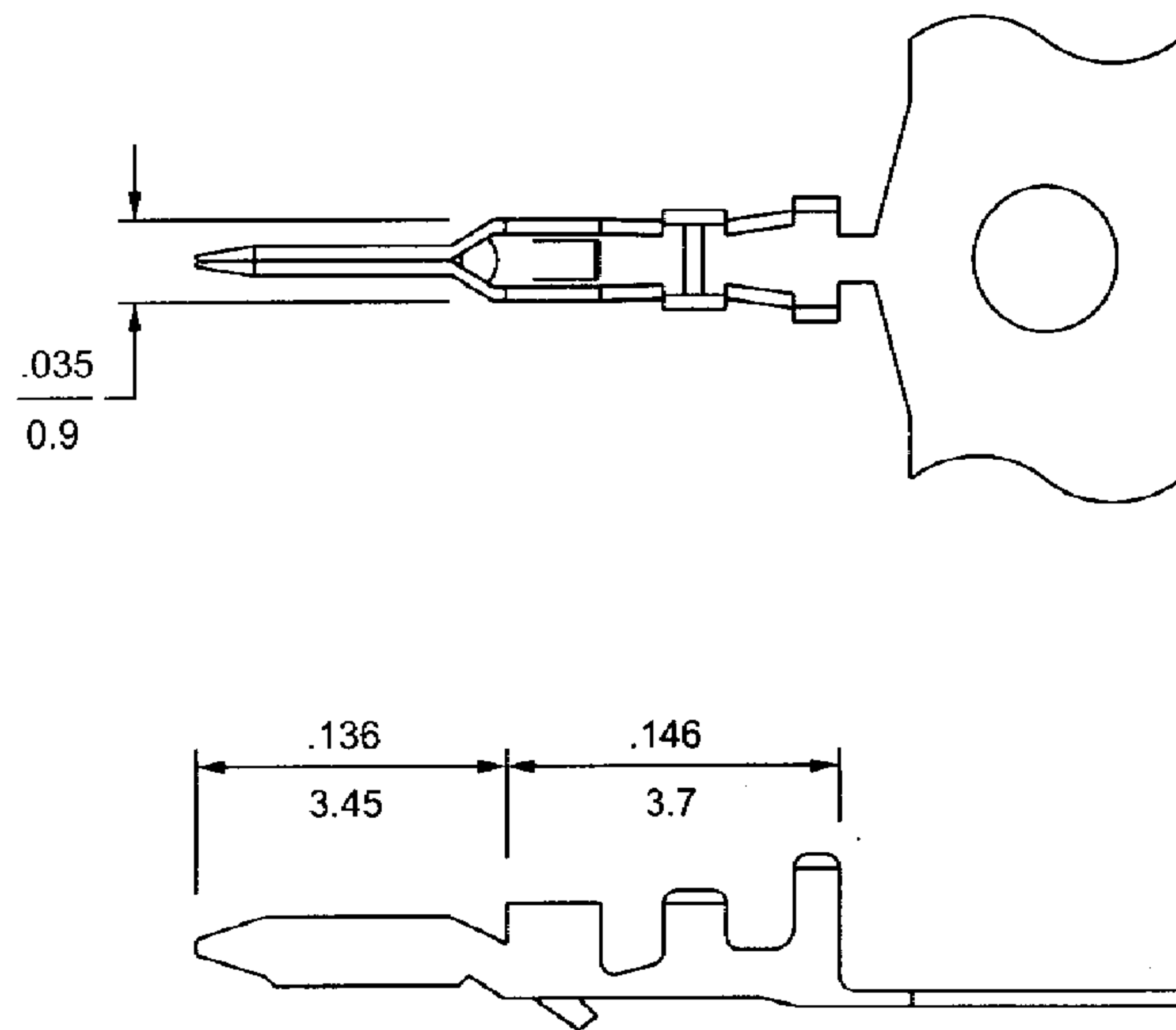
.049" (1.25mm) Pitch Wire-to-Board Crimp Terminal Housing

Specifications:

- Current rating: 1A (0.8A for #32 AWG)
- Voltage rating: 125V
- Dielectric withstanding voltage: 250V AC/minute
- Insulation resistance: 100M Ω min.
- Contact resistance: 20m Ω max.
- Ambient temperature range: -40 °C ~ 85 °C (including temperature rise)

12501TM Series Crimp Terminal

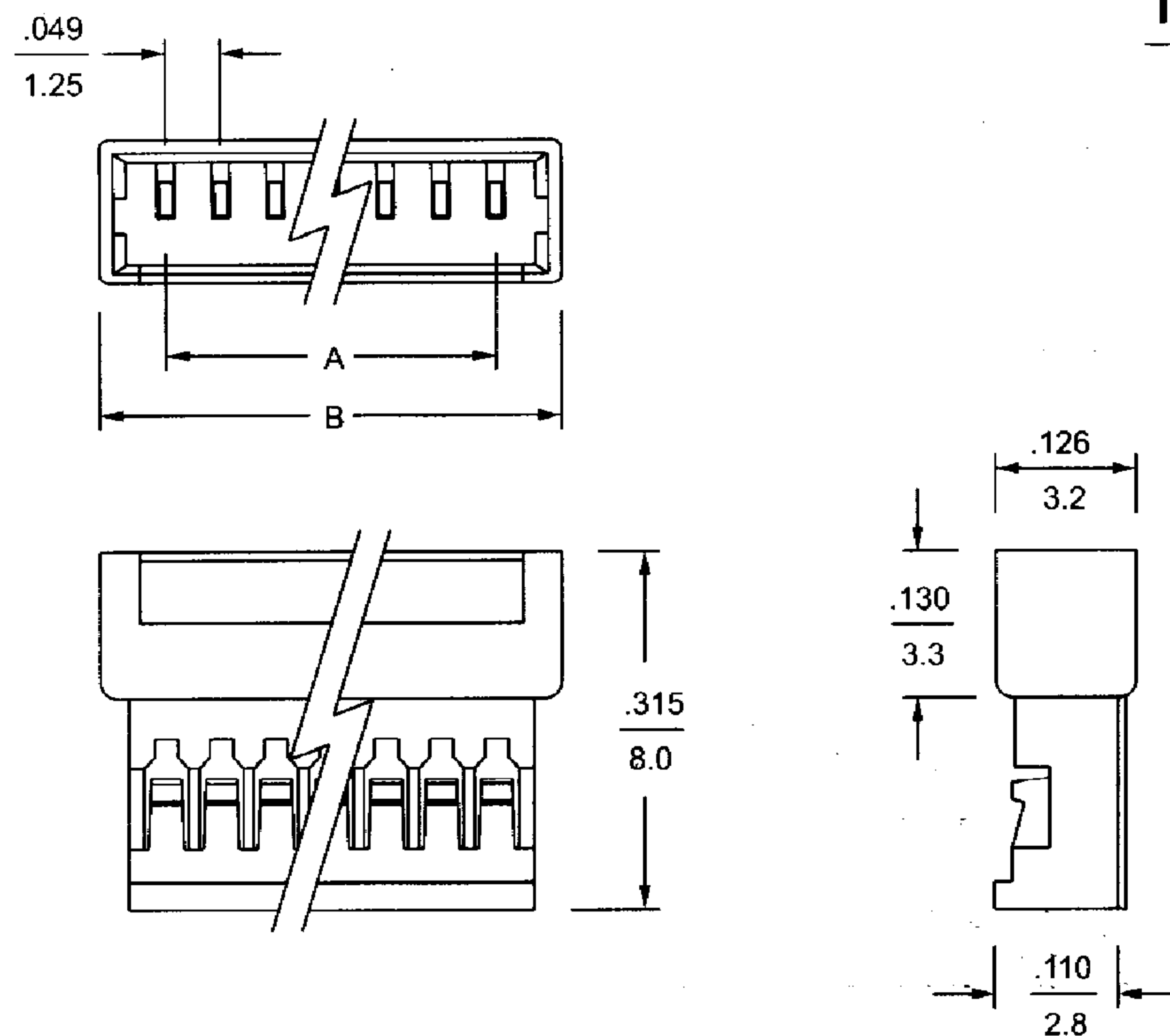
- Material: Phosphor bronze
- Finished: Tin-plated
- Used in 12501HF-N series housing
- Wire range: AWG #28 ~ #32
- Thickness: 0.15mm



inches
mm

12501HF-N Series Plug Housing

- 2 ~ 10 circuits available
- Material: PBT, UL 94V-0
- Accepts 12501TM terminal
- Mates with 12501HM-N series housing



inches
mm

Dimensional Information - in (mm)

Circuits	Dim. A	Dim. B	Circuits	Dim. A	Dim. B	Circuits	Dim. A	Dim. B
2	.049 (1.25)	.167 (4.25)	5	.197 (5.00)	.315 (8.00)	8	.344 (8.75)	.463 (11.75)
3	.098 (2.50)	.217 (5.50)	6	.246 (6.25)	.364 (9.25)	9	.394 (10.00)	.512 (13.00)
4	.148 (3.75)	.268 (6.75)	7	.295 (7.50)	.413 (10.50)	10	.443 (11.25)	.561 (14.25)