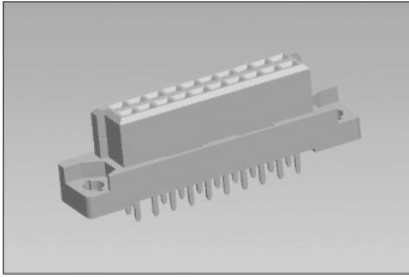


Vertical Female Type 1/3B Connectors 20 Positions

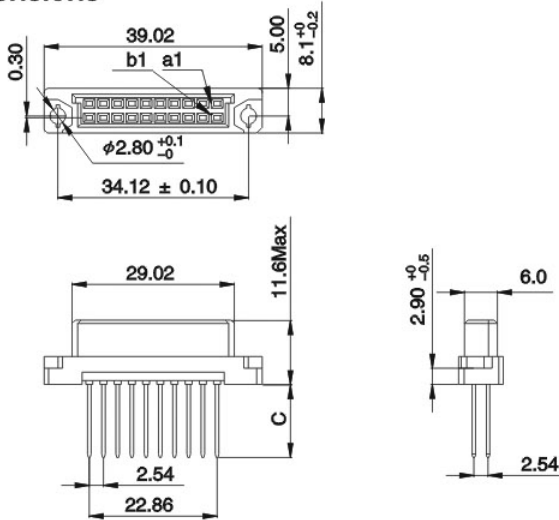


NEW

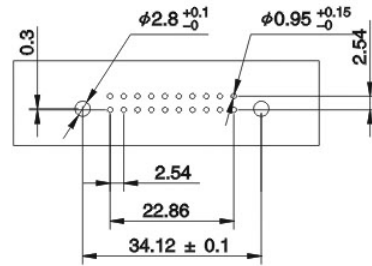
Option:

- Connector with pre-installed snap-in mounting clips.
- Other Variations
- Please refer to page 48 for complete part number coding
- Other variations, please consult factory

Dimensions



Recommended P.C.B. layout



| | | | |
|----------|----------|----------|---------|
| CODE NO. | 10 | 12 | 14 |
| C = | 2.5 | 4.0 | 5.0 |
| T = | 0.3x0.38 | 0.3x0.38 | 0.6x0.6 |
| CODE NO. | 15 | 30 | 40 |
| C = | 7.4 | 13 | 17 |
| T = | 0.6x0.6 | 0.6x0.6 | 0.6x0.6 |

Ordering Information

| NO. OF CONTACTS | | 20 | 10 | 10 |
|-----------------|---------|-----------------|-----------------|-----------------|
| POSITION | | a+b | a | a+b (2.4.6....) |
| TERMINATION | QUALITY | PART NUMBER | | |
| 2.5 mm | III | 125-1-203-10-10 | 125-1-101-10-10 | 125-3-103-10-10 |
| | II | 125-1-203-10-20 | 125-1-101-10-20 | 125-3-103-10-20 |
| 4.0 mm | III | 125-1-203-12-10 | 125-1-101-12-10 | 125-3-103-12-10 |
| | II | 125-1-203-12-20 | 125-1-101-12-20 | 125-3-103-12-20 |
| 5.0 mm | III | 125-1-203-14-10 | 125-1-101-14-10 | 125-3-103-14-10 |
| | II | 125-1-203-14-20 | 125-1-101-14-20 | 125-3-103-14-20 |
| 7.4 mm | III | 125-1-203-15-10 | 125-1-101-15-10 | 125-3-103-15-10 |
| | II | 125-1-203-15-20 | 125-1-101-15-20 | 125-3-103-15-20 |
| 13.0 mm | III | 125-1-203-30-10 | 125-1-101-30-10 | 125-3-103-30-10 |
| | II | 125-1-203-30-20 | 125-1-101-30-20 | 125-3-103-30-20 |
| 17.0 mm | III | 125-1-203-40-10 | 125-1-101-40-10 | 125-3-103-40-10 |
| | II | 125-1-203-40-20 | 125-1-101-40-20 | 125-3-103-40-20 |

Remarks:

- 10—Straight solder, tail length 2.5mm
- 12—Straight solder, tail length 4mm
- 14—Straight tail length 5mm
- 15—Straight tail length 7.4mm

- 30—Wrap post tail length 13.0mm
- 40—Wrap post tail length 17.0mm
- T—Cross section of wrap post(Thickness x Width)

Dimensions shown are for reference purpose only, All dimensions are in millimeters unless otherwise specified.