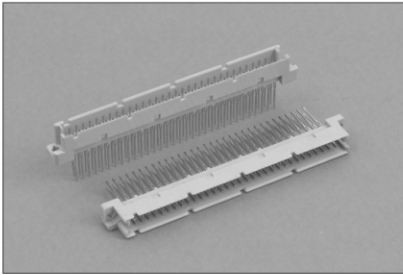


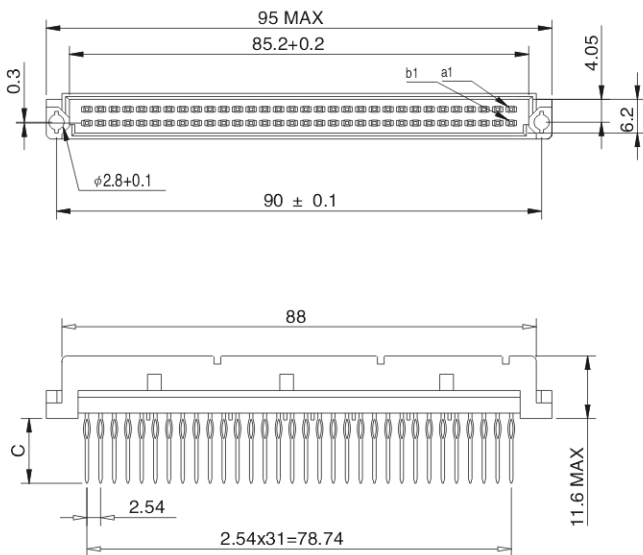
Vertical Male Type Q Compliant Press-Fit Connectors—Inversed 64 positions



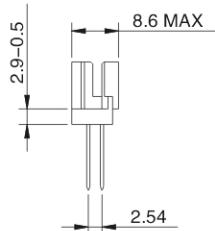
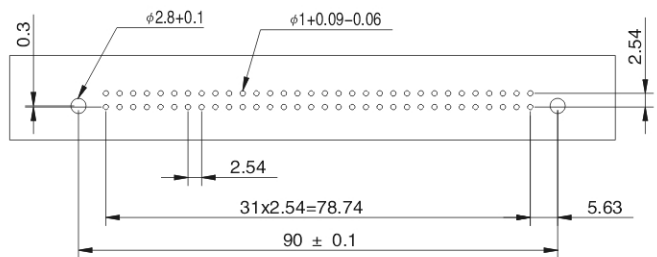
Option:

- Extended male contact
- Coded connector
- Variations
- Please refer to page 46 for complete part number coding
- Other variations, please consult factory

Dimensions



Recommended P.C.B. layout



CODE NO.	50	60	70
C =	5	13	17
T =		0.6x0.6	0.6x0.6

Ordering Information

NO. OF CONTACTS		64	32
POSITION		a+b	a+b (2.4.6....)
TERMINATION	QUALITY	PART NUMBER	
5.0 mm	III	130-2-643-50-10	130-4-323-50-10
	II	130-2-643-50-20	130-4-323-50-20
13.0 mm	III	130-2-643-60-10	130-4-323-60-10
	II	130-2-643-60-20	130-4-323-60-20
17.0 mm	III	130-2-643-70-10	130-4-323-70-10
	II	130-2-643-70-20	130-4-323-70-20

Remarks:

- 50—Straight press-fit 5.0mm tail length
- 60—Straight press-fit 13.0mm tail length
- 70—Straight press-fit 17.0mm tail length
- T—Cross section of wrap post(Thickness x Width)

Dimensions shown are for reference purpose only, All dimensions are in millimeters unless otherwise specified.