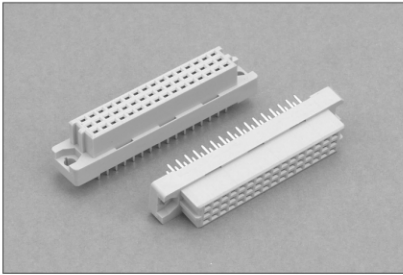


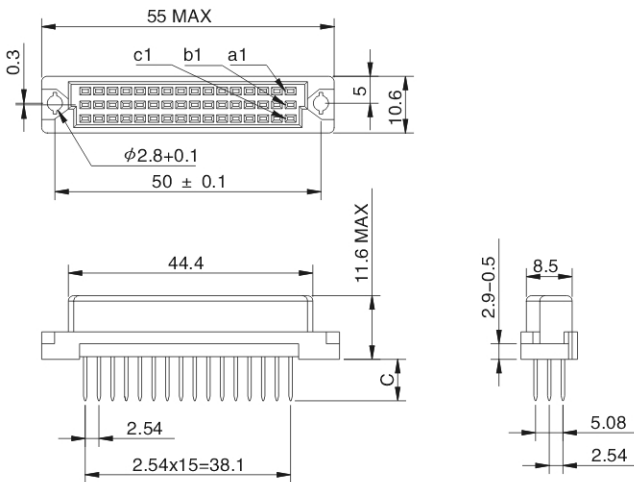
Vertical Female Type Half C Connectors 48 Positions



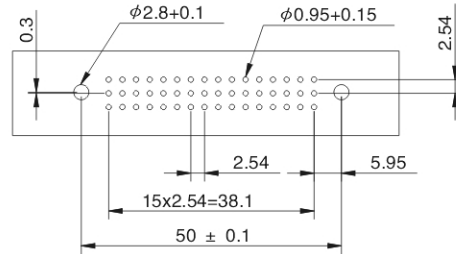
Option:

- Connector with pre-installed snap-in mounting clips.
- Other Variations
- Please refer to page 46 for complete part number coding
- Other variations, please consult factory

Dimensions



Recommended P.C.B. layout



CODE NO.	10	12	14
C =	2.5	4.0	5.0
T =	0.3x0.38	0.3x0.38	0.6x0.6
CODE NO.	15	30	40
C =	7.4	13	17
T =	0.6x0.6	0.6x0.6	0.6x0.6

Ordering Information

NO. OF CONTACTS		48	32	32	16	24	16
POSITION		a+b+c	a+c	a+b	a	a+b+c (2.4.6...)	a+c (2.4.6...)
TERMINATION	QUALITY	PART NUMBER					
2.5 mm	III	126-1-486-10-10	126-1-324-10-10	126-1-323-10-10	126-1-161-10-10	126-3-246-10-10	126-3-164-10-10
	II	126-1-486-10-20	126-1-324-10-20	126-1-323-10-20	126-1-161-10-20	126-3-246-10-20	126-3-164-10-20
4.0 mm	III	126-1-486-12-10	126-1-324-12-10	126-1-323-12-10	126-1-161-12-10	126-3-246-12-10	126-3-164-12-10
	II	126-1-486-12-20	126-1-324-12-20	126-1-323-12-20	126-1-161-12-20	126-3-246-12-20	126-3-164-12-20
5.0 mm	III	126-1-486-14-10	126-1-324-14-10	126-1-323-14-10	126-1-161-14-10	126-3-246-14-10	126-3-164-14-10
	II	126-1-486-14-20	126-1-324-14-20	126-1-323-14-20	126-1-161-14-20	126-3-246-14-20	126-3-164-14-20
7.4 mm	III	126-1-486-15-10	126-1-324-15-10	126-1-323-15-10	126-1-161-15-10	126-3-246-15-10	126-3-164-15-10
	II	126-1-486-15-20	126-1-324-15-20	126-1-323-15-20	126-1-161-15-20	126-3-246-15-20	126-3-164-15-20
13.0 mm	III	126-1-486-30-10	126-1-324-30-10	126-1-323-30-10	126-1-161-30-10	126-3-246-30-10	126-3-164-30-10
	II	126-1-486-30-20	126-1-324-30-20	126-1-323-30-20	126-1-161-30-20	126-3-246-30-20	126-3-164-30-20
17.0 mm	III	126-1-486-40-10	126-1-324-40-10	126-1-323-40-10	126-1-161-40-10	126-3-246-40-10	126-3-164-40-10
	II	126-1-486-40-20	126-1-324-40-20	126-1-323-40-20	126-1-161-40-20	126-3-246-40-20	126-3-164-40-20

Remarks:

- 10---Straight solder,tail length 2.5mm
- 12---Straight solder,tail length 4mm
- 14---Straight tail length 5mm
- 15---Straight tail length 7.4mm

- 30---Wrap post tail length 13.0mm
- 40---Wrap post tail length 17.0mm
- T---Cross section of wrap post(Thickness x Width)

Dimensions shown are for reference purpose only, All dimensions are in millimeters unless otherwise specified.