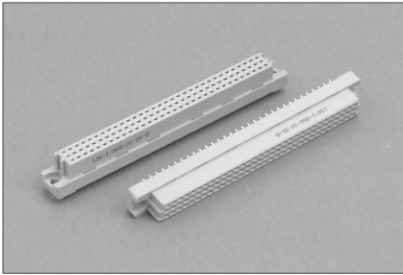


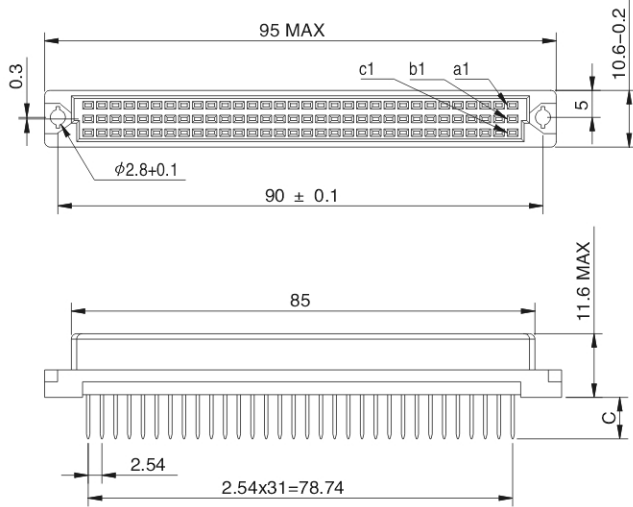
## Vertical Female Type C Connectors 96 Positions



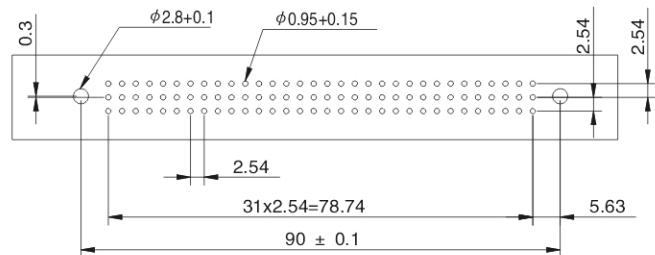
### Option:

- Connector with pre-installed snap-in mounting clips.
- Other Variations
- Please refer to page 46 for complete part number coding
- Other variations, please consult factory

### Dimensions



### Recommended P.C.B. layout



CODE NO.	10	12	14
C =	2.5	4.0	5.0
T =	0.3x0.38	0.3x0.38	0.6x0.6
CODE NO.	15	30	40
C =	7.4	13	17
T =	0.6x0.6	0.6x0.6	0.6x0.6

### Ordering Information

NO. OF CONTACTS		96	64	64	32	48	32
POSITION		a+b+c	a+c	a+b	a	a+b+c (2.4.6...)	a+c (2.4.6....)
TERMINATION	QUALITY	PART NUMBER					
2.5 mm	III	126-1-966-10-10	126-1-644-10-10	126-1-643-10-10	126-1-321-10-10	126-3-486-10-10	126-3-324-10-10
	II	126-1-966-10-20	126-1-644-10-20	126-1-643-10-20	126-1-321-10-20	126-3-486-10-20	126-3-324-10-20
4.0 mm	III	126-1-966-12-10	126-1-644-12-10	126-1-643-12-10	126-1-321-12-10	126-3-486-12-10	126-3-324-12-10
	II	126-1-966-12-20	126-1-644-12-20	126-1-643-12-20	126-1-321-12-20	126-3-486-12-20	126-3-324-12-20
5.0 mm	III	126-1-966-14-10	126-1-644-14-10	126-1-643-14-10	126-1-321-14-10	126-3-486-14-10	126-3-324-14-10
	II	126-1-966-14-20	126-1-644-14-20	126-1-643-14-20	126-1-321-14-20	126-3-486-14-20	126-3-324-14-20
7.4 mm	III	126-1-966-15-10	126-1-644-15-10	126-1-643-15-10	126-1-321-15-10	126-3-486-15-10	126-3-324-15-10
	II	126-1-966-15-20	126-1-644-15-20	126-1-643-15-20	126-1-321-15-20	126-3-486-15-20	126-3-324-15-20
13.0 mm	III	126-1-966-30-10	126-1-644-30-10	126-1-643-30-10	126-1-321-30-10	126-3-486-30-10	126-3-324-30-10
	II	126-1-966-30-20	126-1-644-30-20	126-1-643-30-20	126-1-321-30-20	126-3-486-30-20	126-3-324-30-20
17.0 mm	III	126-1-966-40-10	126-1-644-40-10	126-1-643-40-10	126-1-321-40-10	126-3-486-40-10	126-3-324-40-10
	II	126-1-966-40-20	126-1-644-40-20	126-1-643-40-20	126-1-321-40-20	126-3-486-40-20	126-3-324-40-20

### Remarks:

- 10---Straight solder,tail length 2.5mm
- 12---Straight solder,tail length 4mm
- 14---Straight tail length 5mm
- 15---Straight tail length 7.4mm

- 30---Wrap post tail length 13.0mm
- 40---Wrap post tail length 17.0mm
- T---Cross section of wrap post(Thickness x Width)

Dimensions shown are for reference purpose only, All dimensions are in millimeters unless otherwise specified.