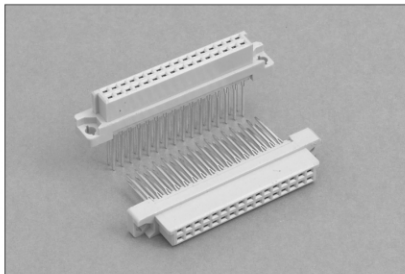


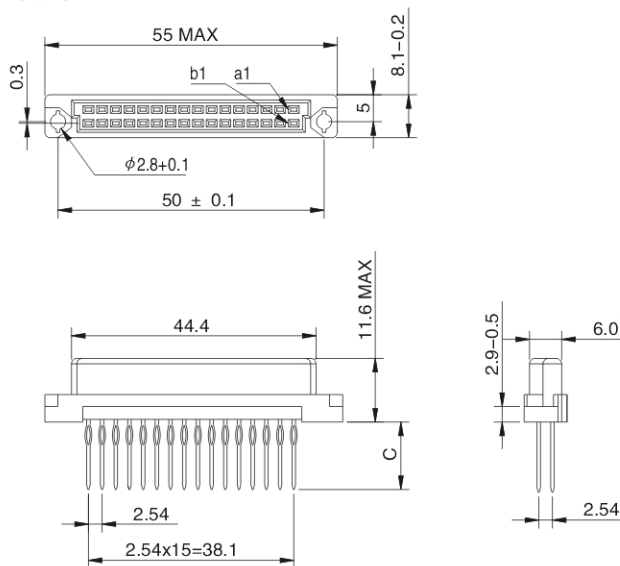
Vertical Female Type Half B Compliant Press-Fit Connectors 32 Positions



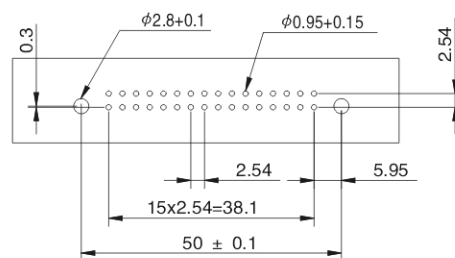
Option:

- Other Variations
- Please refer to page 46 for complete part number coding
- Other variations, please consult factory

Dimensions



Recommended P.C.B. layout



CODE NO.	50	60	70
C =	5	13	17
T =		0.6x0.6	0.6x0.6

Ordering Information

NO. OF CONTACTS		32	16
POSITION		a+b	a+b (2.4.6....)
TERMINATION	QUALITY	PART NUMBER	
5.0 mm	III	125-1-323-50-10	125-3-163-50-10
	II	125-1-323-50-20	125-3-163-50-20
13.0 mm	III	125-1-323-60-10	125-3-163-60-10
	II	125-1-323-60-20	125-3-163-60-20
17.0 mm	III	125-1-323-70-10	125-3-163-70-10
	II	125-1-323-70-20	125-3-163-70-20

Remarks:

- 50---Straight press-fit 5.0mm tail length
- 60---Straight press-fit 13.0mm tail length
- 70---Straight press-fit 17.0mm tail length
- T---Cross section of wrap post(Thickness x Width)

P.S 1/3B is available, please consult with factory.

Dimensions shown are for reference purpose only, All dimensions are in millimeters unless otherwise specified.