

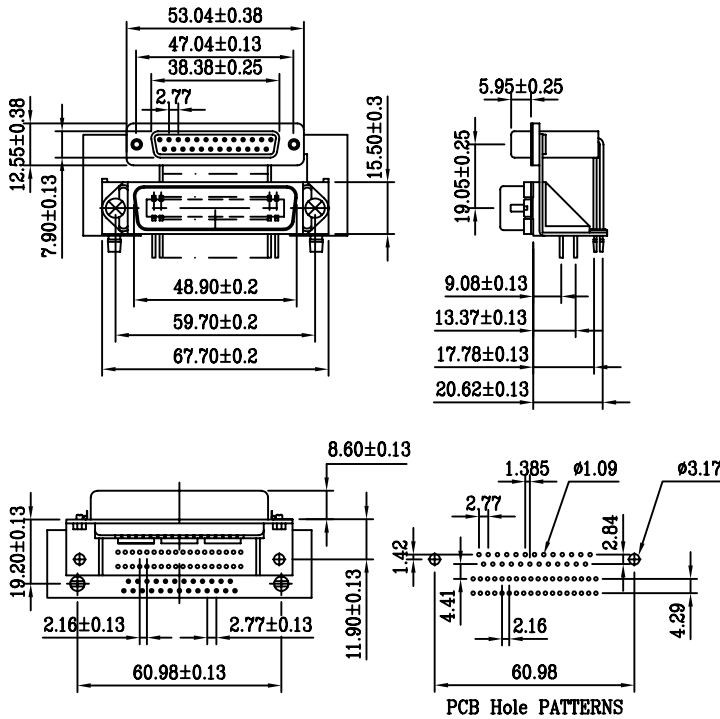
382&383

D-SUB Dual Port Connector

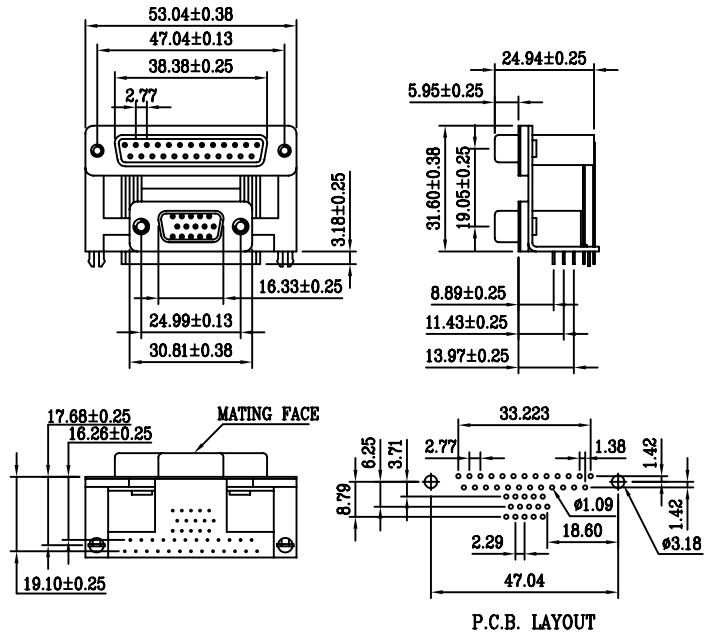
Technical data :

Contact current rating	5 Amperes
Contact resistance	35mohm MAX
Dielectric withstanding voltage	500 VAC
Insulation resistance	1000 Mohm MIN
Operating voltage	500 VOLTS
Contact engagement force	12 OZ(MAX)
Contact separation force	0.75 OZ(MIN)
Operating temperature	-55°C~105°C
Durability	500 Mating cycles

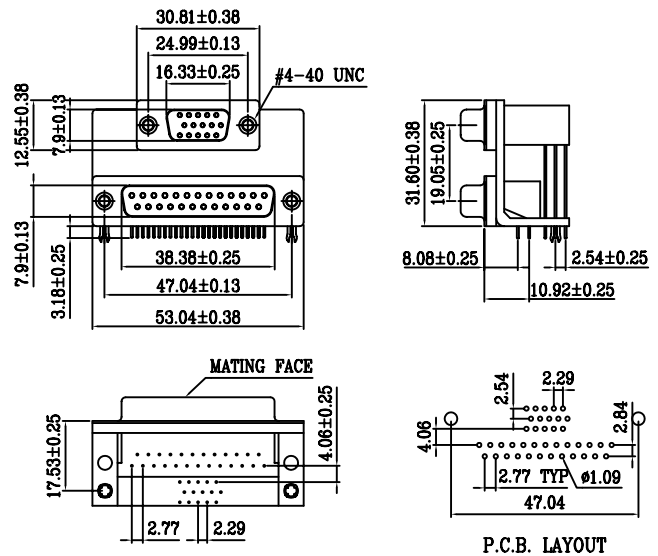
382 series 25 poles over centronic 36 poles



382 series 25 poles over H.D 15poles



383 series H.D 15 poles over 25 poles



How to order Serie 382&383

3 8 2 - □ □
Serie-Nr. Connector Type

3 8 3 - □ □
Serie-Nr. Connector Type

Connector Type	Code
25M-36M	10
25F-36F	20
25M-36F	30
25F-36M	40

Connector	Code	Connector	Code
25M-H.D15.M	10	25M-H.D15.M	50
25F-H.D15.F	20	25F-H.D15.F	60
25M-H.D15.F	30	25F-H.D15.M	70
25F-H.D15.M	40	25M-H.D15.F	80

W.E.