

351,351-1

Jumper open and closed pitch 2.00mm for Square pins

Technical Data :

Insulator Material: Thermoplastic,UL 94V-0

Contact : stamped and formed,Phosphor Bronze

Plating: Au or Sn over Nickel

Current Rating : 1 Amp

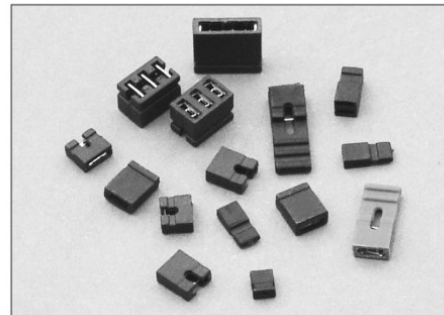
Contact resistance: 20 milliohms Max.

Insulator resistance : 1000 Megohms min.

Dielectric withstanding : AC 500V for 1 Minute.

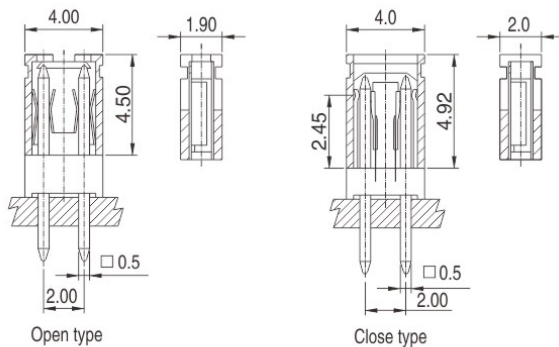
Operating Temperature: -40° C to +105° C.

Mates with : Pitch 2.0mm, □0.5mm male header

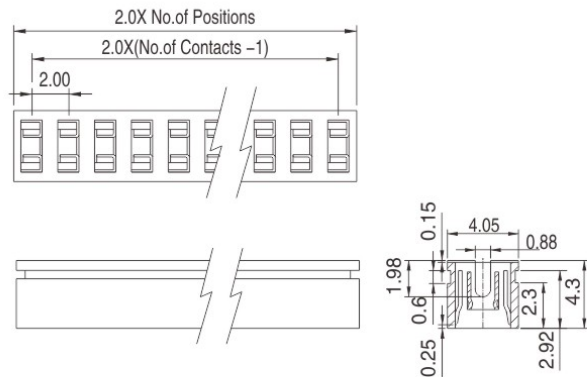


RoHS Compliant

351 serie



351-1 serie



How to order

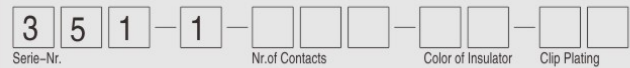


Jumper type	Code
Closed Type	101
Open Housing	201

Color of insulator	Code
Black	10

Plating option clip	Code
Gold plated	10

How to order



Nr. of Contacts	Code
04-20	04-20
(2-10 units)	

Color of insulator	Code
Black	10

Plating option clip	Code
Gold plated	10
Tin plated	50

W.E.