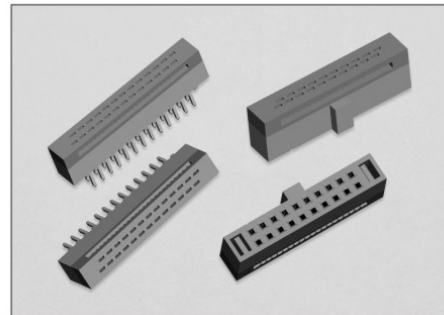


134, 134-1

1.27mm I.D.C SOCKET

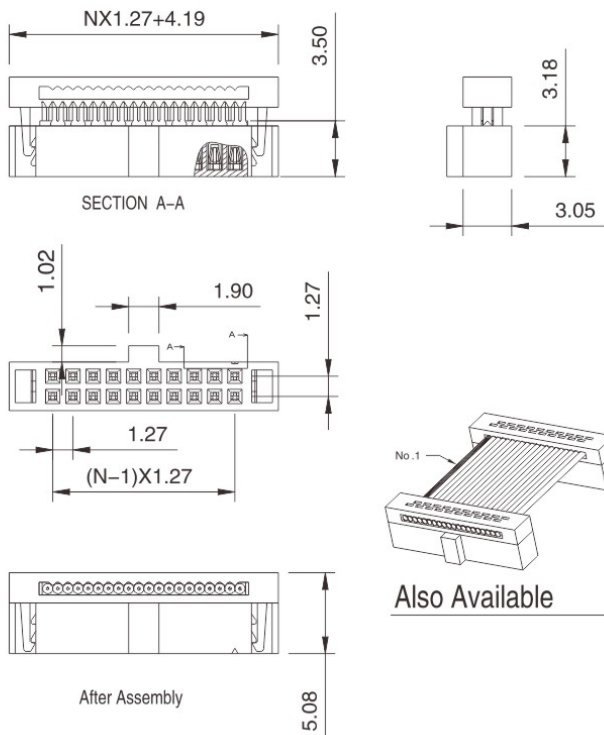
Technical Data:

Insulator Material:	High Temperature Thermoplastic, UL 94V-0
Contact:	Stamped and formed, BeCu
Plating:	Au/Sn over Nickel
Wire size:	30AWG
Current Rating:	1Amp
Contact resistance:	20 milliohms Max.
Insulator resistance:	1000 Megohms min.
Dielectric withstanding:	AC 500V for 1 Minute
Operating Temperature:	-40 °C to +105 °C .
Max. processing Temp:	230 °C for 30-60 seconds. 260 °C for 10 seconds.
Mates with:	For □ 0.40 Male header 1.27x1.27mm

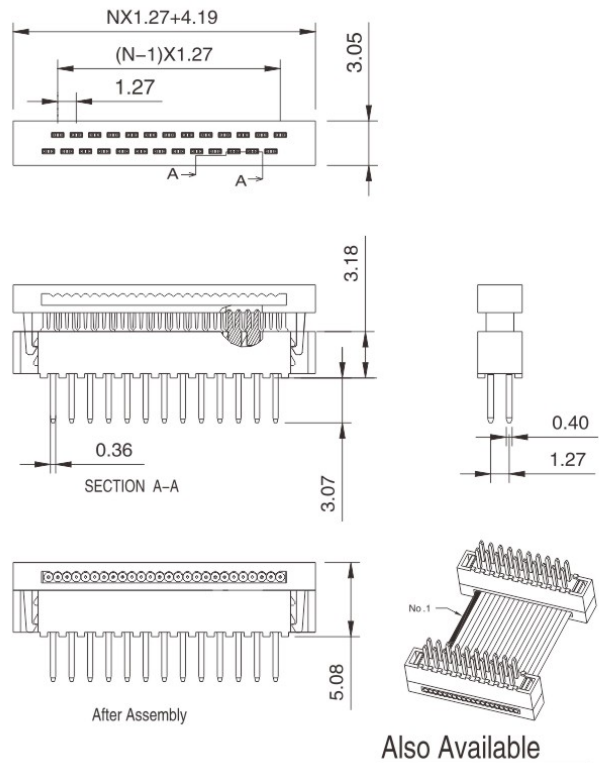


RoHS Compliant

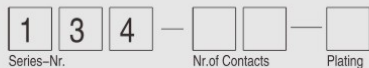
134 Series



134-1 Series

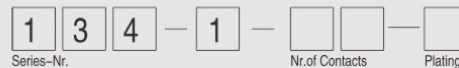


How to order



Nr. of Contacts	Plating option	Code
10,12,14,20	Tin plated	50
26,30,34,40,50	Selective gold flash plated	60

How to order



Nr. of Contacts	Plating option	Code
10,12,14,20	Tin plated	50
26,30,34,40,50	Selective gold flash plated	60

W.E.