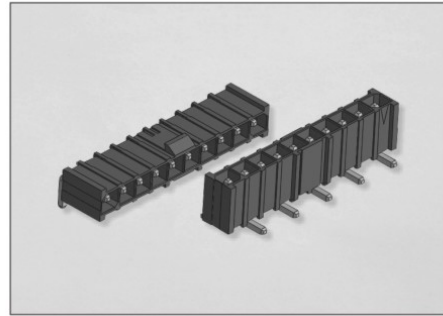


934-1

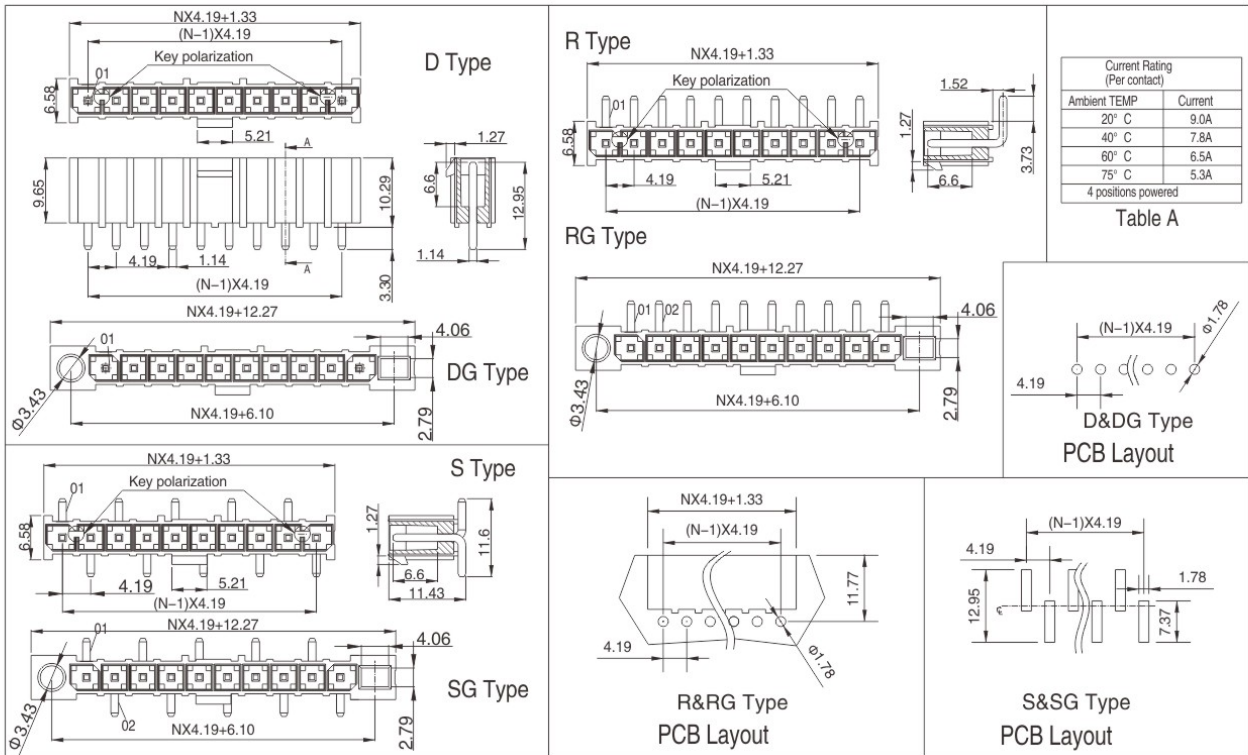
Isolated Terminal Power Header 4.19mm Pitch Single Row

Technical Data :

Insulator Material:	High Temperature Thermoplastic,LCP,UL 94V-0
Contact :	Copper alloy
Plating:	Au or Sn over Nickel
Current Rating :	See Table A
Insulator resistance :	1000 Megohms min.
Dielectric withstanding :	AC 500V for 1 Minute. DC 707V for 1 Minute.
Operating Temperature:	-55° C to +105° C.
Max. processing Temp:	230° C for 30-60 seconds. 260° C for 10 seconds.
Mates with :	935-1 series



RoHS Compliant



How to order



Connector Type	Code
Standard Dip (D Type)	10
Standard SMT (S Type)	20
Standard Right angle (R Type)	30
Standard Dip with guide posts (DG Type)	11
Standard SMT with guide posts (SG Type)	21
Right angle with guide posts (RG Type)	31

Number of contact	Code
02-10-poles Single	02-10

Key polarization Option	Code
W/ Key polarization	0
W/O Key polarization	1

Plating option	Code
Gold plated	10
Tin plated	50

Cap option	Code
W/Cap	1
W/O Cap	2

Packing option	Code
Tube	1
Tape & Reel	2

W.E.