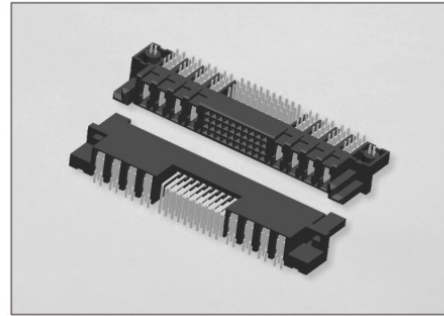


929

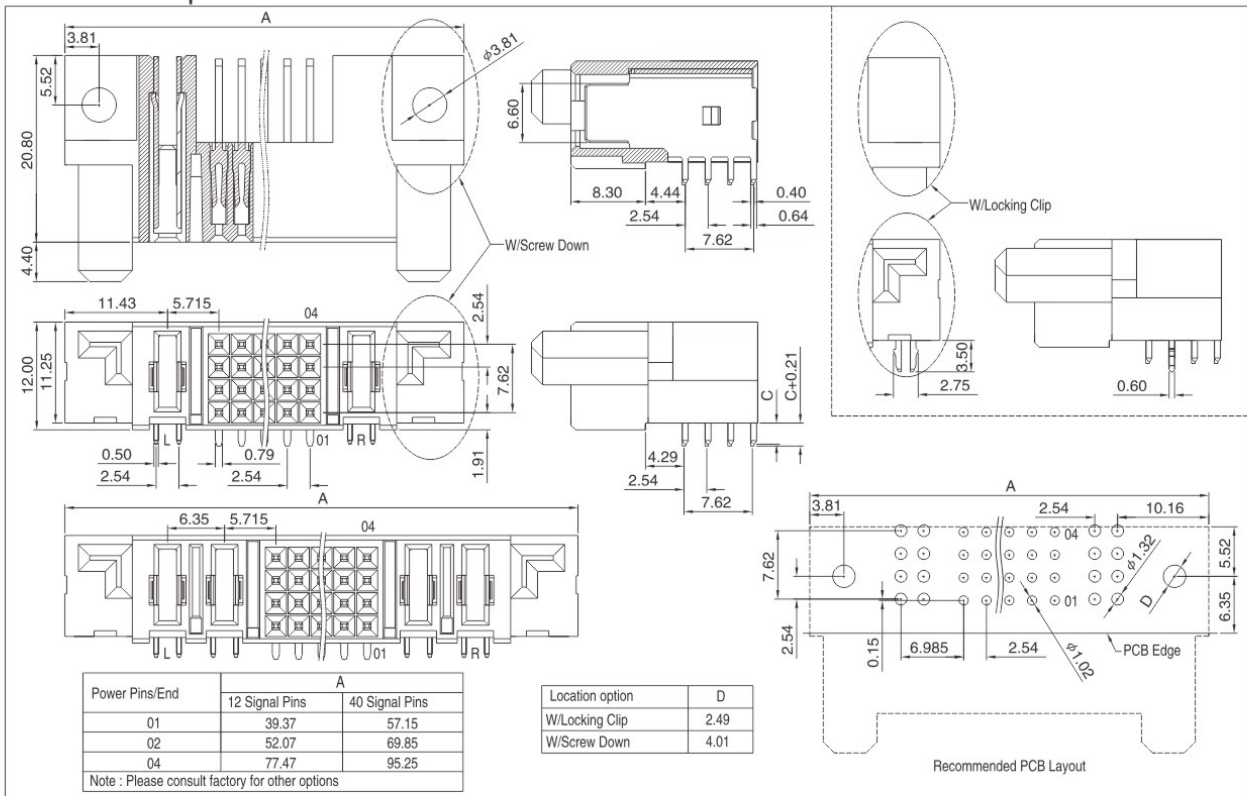
6.35mm Pitch Power W/Signal Socket, Right Angle Type

Technical Data :

Insulator Material:	High Temperature Thermoplastic, LCP, UL 94V-0
Contact Material:	Copper Alloy for signal contact Copper Alloy for power contact stamped and formed, Copper Alloy
Clip Material:	Au or Tin over Nickel
Contact Plating:	Matt Sn over Nickel
Current Rating :	Power:27.6A Signal:3A
Voltage Rating:	Power:650VAC/919VDC Signal:450VAC/636VDC
Operating Temperature :	-55 °C to +105 °C
Max. processing Temp:	230 °C for 30-60 seconds. 260 °C for 10 seconds.
Mates with :	930



RoHS Compliant



How to order



Nr. of left power contact	Code
01	01
02	02
04	04

Nr. of signal contact	Code
12	12
40	40

Nr. of right power contact	Code
01	01
02	02
04	04

Terminal type	Code
Dimensions(mm)	
C	20
3.95	21

Power pin plating option	Code
Full gold flash plated	10
Tin plated	50
Selective gold flash plated	60
10u" Selective gold plated	610

Signal pin plating option	Code
Full gold flash plated	10
Tin plated	50
Selective gold flash plated	60
10u" Selective gold plated	610

Location option	Code
W/Locking Clip	20
W/Screw Down	30

Pick&Place Cap	Code
W/O Cap	2

Packing option	Code
Tube	1
Tray	3

W.E.