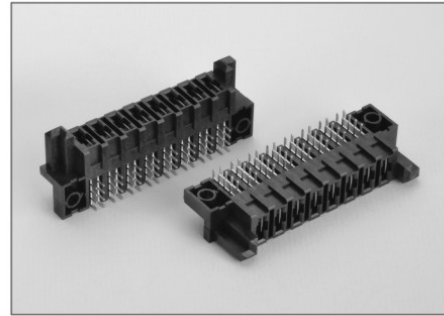


927

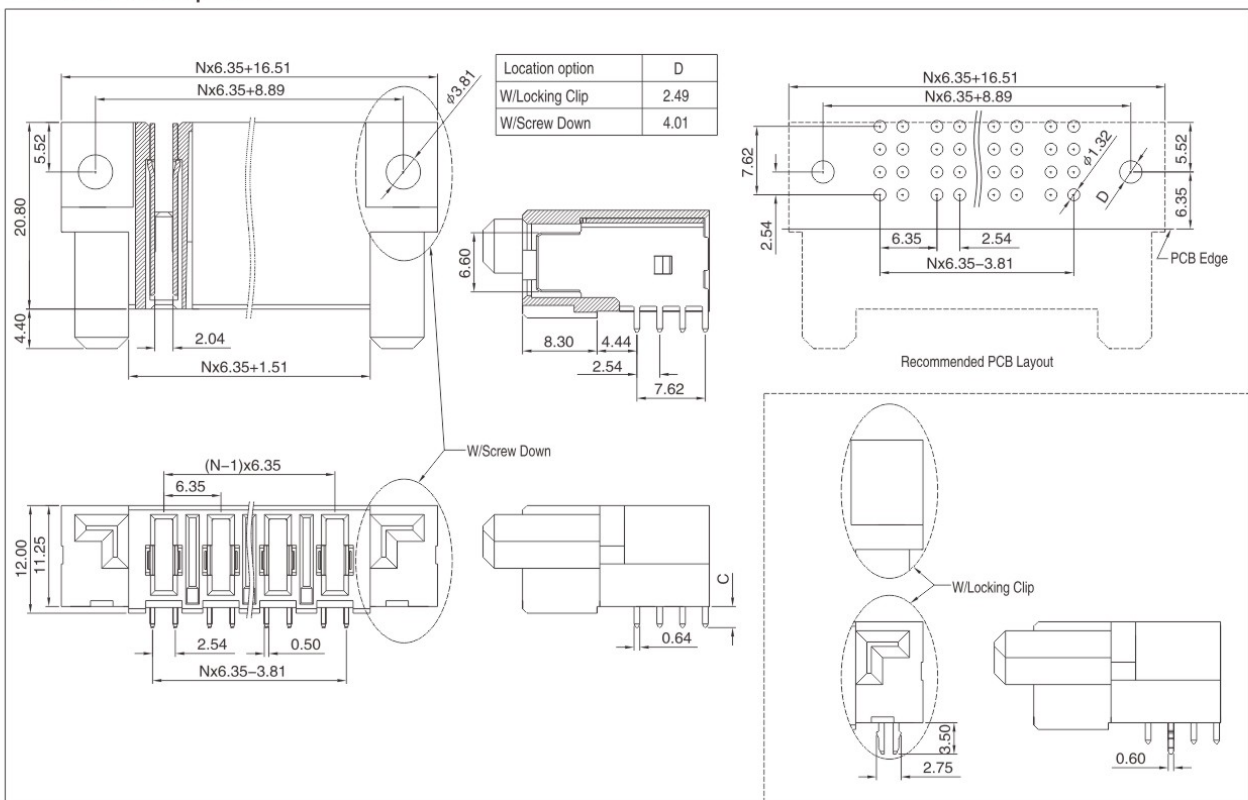
6.35mm Pitch Power Socket, Right Angle Type

Technical Data :

Insulator Material:	High Temperature Thermoplastic, LCP, UL 94V-0
Contact Material:	stamped and formed, Copper Alloy
Clip Material:	stamped and formed, Copper Alloy
Contact Plating:	Au or Tin over Nickel
Clip Plating:	Matt Sn over Nickel
Current Rating :	27.6A
Voltage Rating:	725VAC/1025VDC
Operating Temperature :	-55 °C to +105 °C With Tin -55 °C to +125 °C With Gold
Max. processing Temp:	230 °C for 30-60 seconds. 260 °C for 10 seconds.
Mates with :	928



RoHS Compliant



How to order



Nr. of contact	Code
02	02
04	04
06	06
08	08

Terminal type	Code
Dimensions(mm)	
C	
2.35	20
3.95	21

Plating option	Code
Full gold flash plated	10
Tin plated	50
Selective gold flash plated	60
10u" Selective gold plated	610

Location option	Code
W/Locking Clip	20
W/Screw Down	30

Pick&Place Cap	Code
W/O Cap	2

Packing option	Code
Tube	1
Tray	3

W.E.