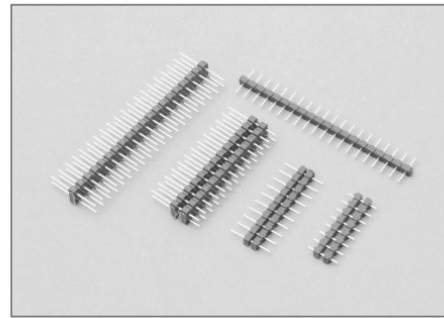


152, 152-DB

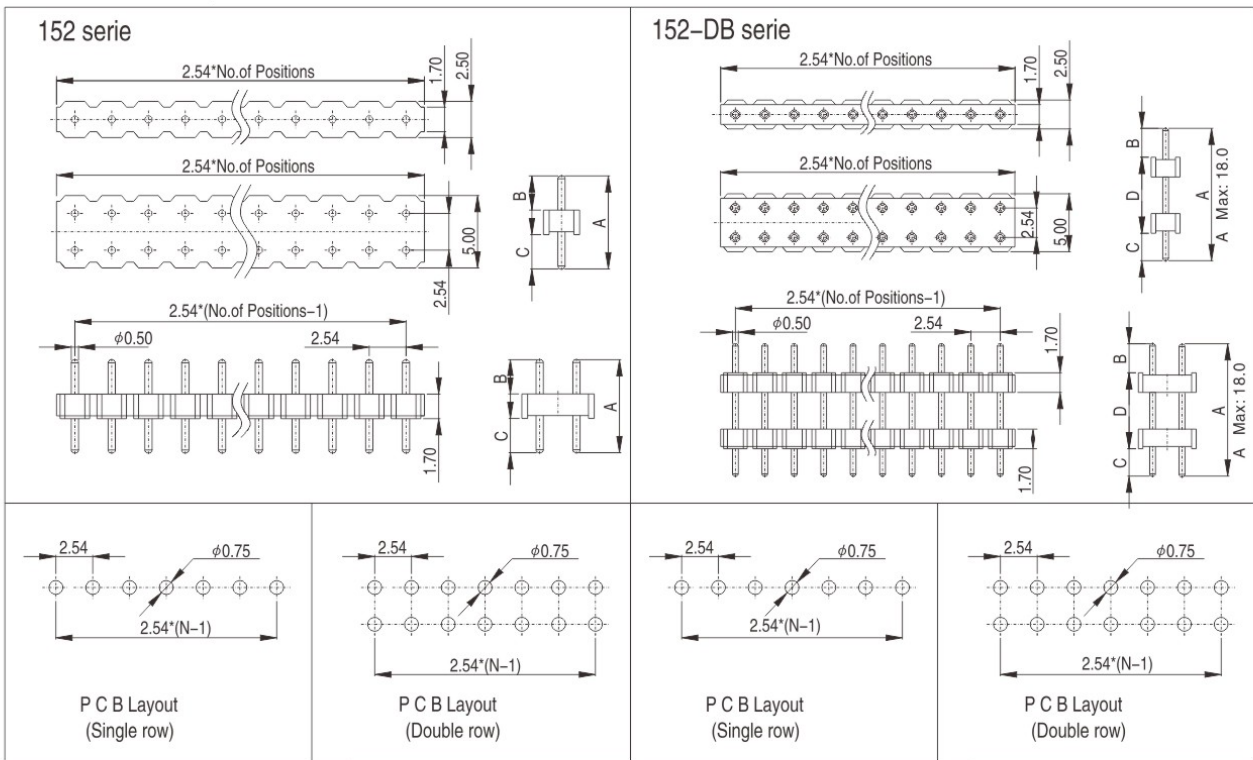
Pin-Header-Strips Single Row with round contact 2.54 mm pitch

Technical Data :

Insulator Material:	High Temperature Thermoplastic, UL 94V-0
Contact :	φ0.50mm
Contact Material:	copper alloy
Plating:	Au or Sn over Nickel
Current Rating :	3 Amp
Insulator resistance :	5000 Megohms min.
Dielectric withstanding :	AC 500V for 1 Minute
Operating Temperature:	-40 °C to +105 °C .
Max. processing Temp:	230 °C for 30-60 seconds. 260 °C for 10 seconds.
Mates with :	2.54mm Pitch PCB connector



RoHS Compliant



How to order

1	5	2								
1	5	2	D	B						
Serie-Nr.			Terminal Code		Nr. of Contact		Nr. of row		Plating	

(152)Dimensions(mm)				Terminal code	(152-DB)Dimensions(mm)				Terminal code	Number of contact		Code	Plating option		Code
A	B	C			A	B	C	D							
6.50	2.30	2.50		08	13.5	2.30	2.50	8.7	08	02-40-poles Single	02-40	Gold plated	10		
8.30	3.40	3.30		09	17.5	3.40	3.30	10.80	09	04-80-poles Double	04-80	Tin plated	50		
11.30	6.30	3.30		12											
12.60	7.60	3.30		13											
14.70	9.70	3.30		15											
As request XXX/XXX/XXX					As request XXX/XXX/XXX					Number of row		Code			
FOR Eg. A=6.50, B=2.3, C=2.5					FOR Eg. B=2.3, C=2.5, D=8.7					Single row		1			
CODE Nr. =6.5/2.3/2.5					CODE Nr. =2.3/2.5/8.7					Double row		2			

W.E.