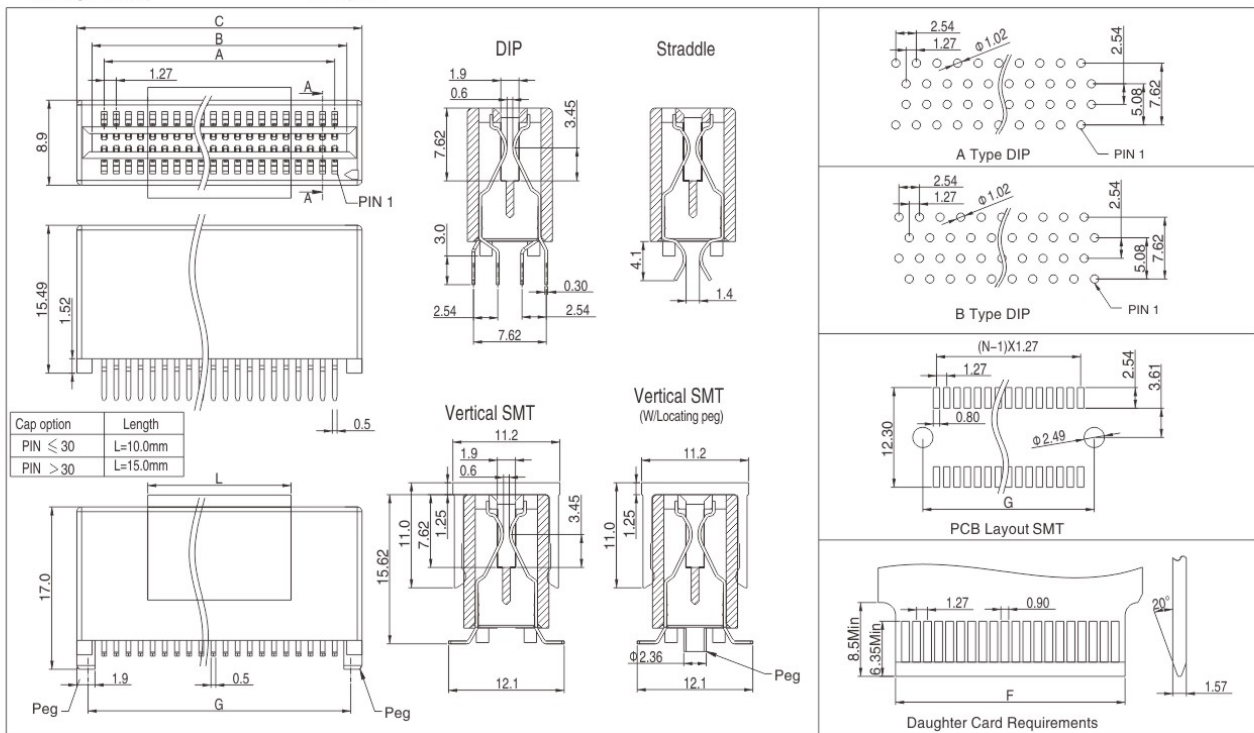
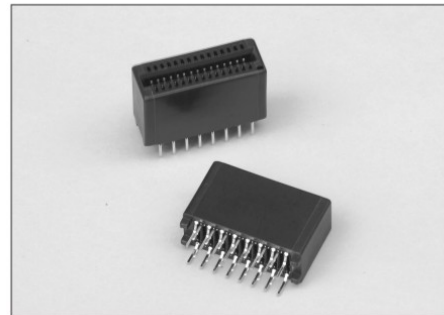


121

High-Density Edge-Card Connectors Pitch 1.27mm 1 slot

Technical data :

Insulator	High temperature thermoplastic, UL 94V-0,Black
Contact	Copper alloy
Plating	Mating area gold over nickel Solder area tin over nickel
Operating temperature	-55° C to+105° C
Current rating	1 A
Operation Voltage	125VAC max
Contact Resistance	30 Milliohms max initial, 10 Milliohms max increase through testing,
Insulation resistance	min. 1000 MOhm
Dielectric Withstanding Voltage	500VAC
Capacitance	2 pF max
Contact Normal Force	75 Grams min
Insertion Force	7 oz max per mated pair
Withdrawal Force	1 oz min per mated pair
Contact Retention	1 lb min
Mating Durability	100 cycles



How to order



Nr. of contact	Dimensions(mm)					Code
	A	B	C	F	G	
10	5.08	7.62	10.80	7.37	8.44	010
12	6.35	8.89	12.07	8.64	9.71	012
20	11.43	13.97	17.15	13.72	14.79	020
26	15.24	17.78	20.96	17.53	18.60	026
30	17.78	20.32	23.50	20.07	21.00	030
36	21.59	24.13	27.31	23.88		036
40	24.13	26.67	29.85	26.42	27.49	040
50	30.48	33.02	36.20	32.77	33.84	050
60	36.83	39.37	42.55	39.12	40.19	060
64	39.37	41.91	45.09	41.66		064
80	49.53	52.07	55.25	51.82	52.89	080
100	62.23	64.77	67.95	64.52	65.59	100
120	74.93	77.47	80.65	77.22	78.29	120

PCB pattern	Code
A Type DIP	10
B Type DIP	20
Straddle	30
Vertical SMT	40

Plating	Code
Selective gold flash plated	60

Cap option	Code
W/Cap	1
W/O Cap	2

Packing option	Code
Tube	1
Tape & Reel	2

Locating peg option	Code
W/Locating peg	PEG
Omit for W/O Locating peg	

W.E.