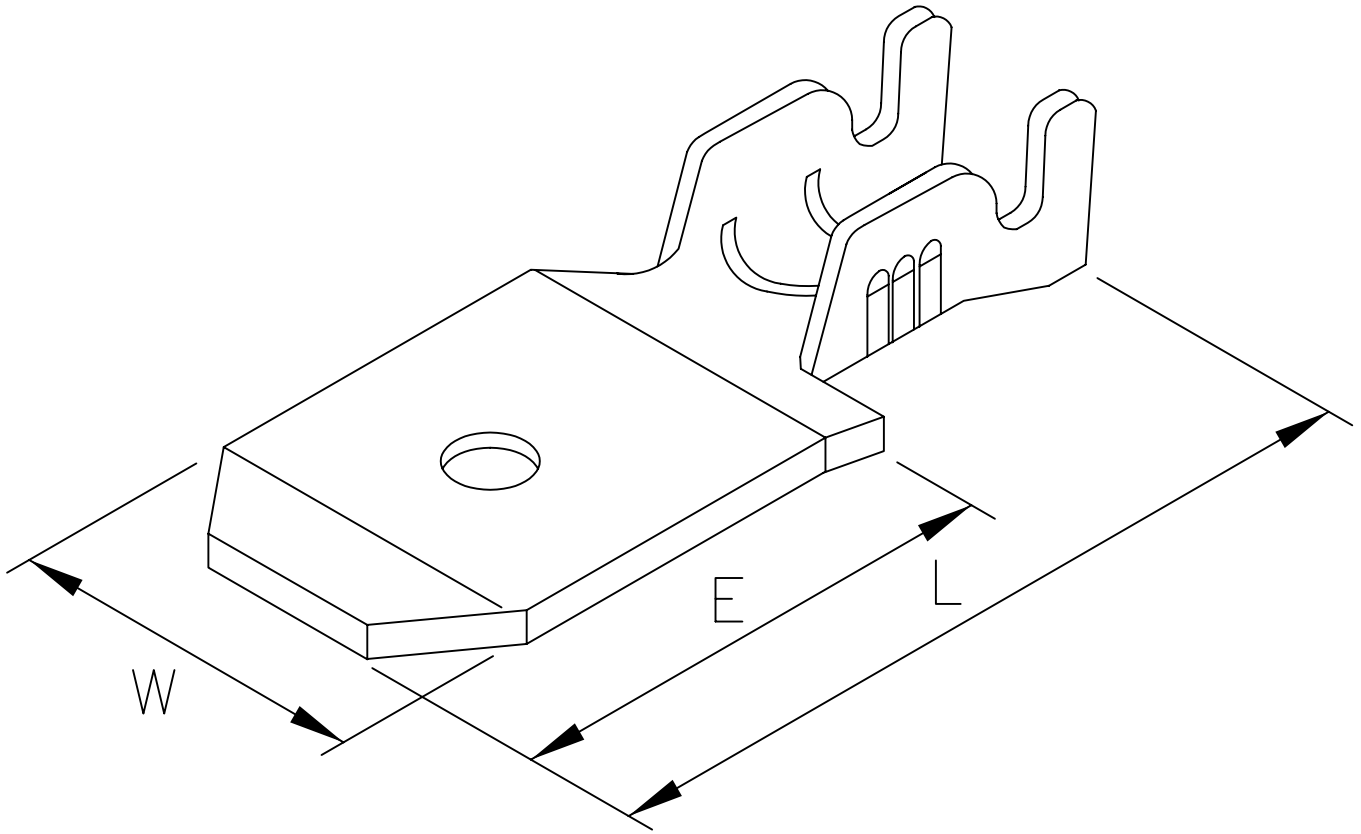


VEN



PART NO.	DIMENTION			WIRE RANGE		MATERIAL/ FINISH	STOCK THK	QTY/ RELL	N.W. Kgs	INSULATION O.D.mm
	W	E	L	AWG#	mm <sup>2</sup>					
V16615BS-0	6.3	11.5	20.8	14-20	2.0-0.5	BRASS	0.4	5000	3.7	3.8-1.5
V16615BS-2	6.3	11.5	20.8	14-20	2.0-0.5	BRASS/TIN	0.4	5000	3.7	3.8-1.5