



.098" (2.50mm) Crimp Style Wire-To-Wire Connectors

6400 Series (Female)

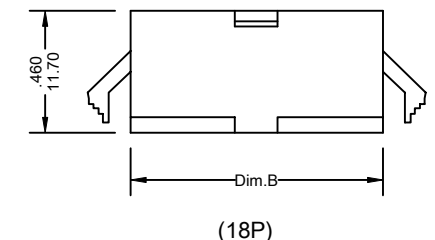
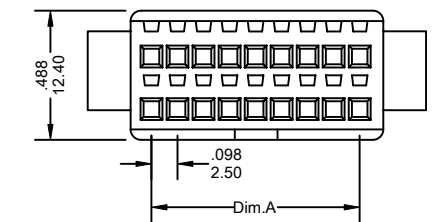
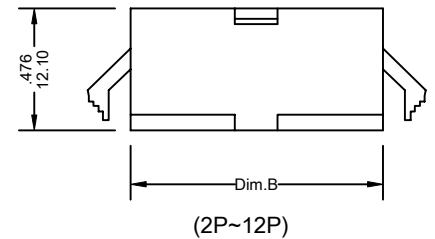
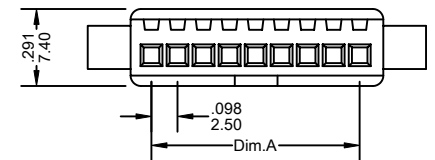
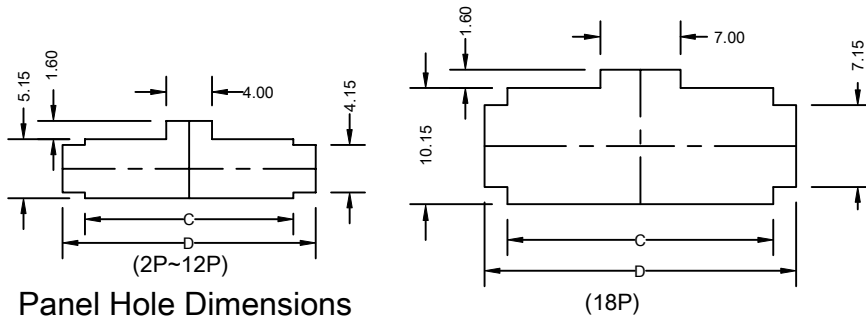
FEATURES:

- . Available in 2 through 12 and 18 circuits
- . Nylon 66 [UL 94V-0], Black
- . Mates with 6500 series crimp socket
- . Accepts 6400-T crimp terminal

SPECIFICATIONS:

- . Current rating: 3A AC, DC
- . Voltage rating: 250V AC, Maximum
- . Temperature range: -40°C ~ +105°C
- . Contact resistance: Initial Value/10mΩ max.
After environmental testing /20mΩ max.
- . Insulation resistance: 5000 MΩ min
- . Withstand Voltage: 1000V AC/minute
- . Applicable Wire: AWG #22~#28

UNIT: INCH
MM



Panel Hole Dimensions

Circuits	Part No	Panel thickness mm					
		0.5 ~ 0.9		1.0 ~ 1.2		1.6 ~ 2.0	
		C +0.15 - 0	D±0.1	C +0.15 - 0	D±0.1	C +0.15 - 0	D±0.1
2	6400-2P	5.70	9.60	5.70	9.80	5.70	10.00
3	6400-3P	8.20	12.10	8.20	12.30	8.20	12.50
4	6400-4P	10.70	14.60	10.70	14.80	10.70	15.00
5	6400-5P	13.20	17.10	13.20	17.30	13.20	17.50
6	6400-6P	15.70	19.60	15.70	19.80	15.70	20.00
7	6400-7P	18.20	22.10	18.20	22.30	18.20	22.50
8	6400-8P	20.70	24.60	20.70	24.80	20.70	25.00
9	6400-9P	23.20	27.10	23.20	27.30	23.20	27.50
10	6400-10P	25.70	29.60	25.70	29.80	25.70	30.00
11	6400-11P	28.20	32.10	28.20	32.30	28.20	32.50
12	6400-12P	30.70	34.60	30.70	34.80	30.70	35.00
18	6400-18P	23.20	27.20	23.20	27.40	23.20	27.60

Ordering Information 6400 Series

Series No.	No. of Contacts	
6400	- 09P	- A
6400 Series	02P ~ 12P & 18P	RoHs

Dimensional Information

Circuits	Dim.A± .008 0.20	Dim.B± .008 0.20	Circuits	Dim.A± .008 0.20	Dim.B± .008 0.20	Circuits	Dim.A± .008 0.20	Dim.B± .008 0.20
2	.098 2.50	.217 5.50	3	.197 5.00	.315 8.00	18	.787 20.00	.906 23.00

* FOR CIRCUIT SIZES 4 THROUGH 12 ADD .098" OR 2.50MM FOR EACH ADDITIONAL PIN.