

# Centronic Connector IDC Female For Flat Cable With Spring Latches Type



57F Series Full Plastic  
57FE Series Metal Shell  
(Receptacle)

**FEATURES:**

- . Contact positions: 14,24,36,50
- . Shell option with full plastic or metal front shell
- . Available in socket styles
- . Metal shell provides grounding and shielding capability
- . Equipped with bail latches for secure locking
- . Mates with industry compatible connectors

**MATERIALS:**

- . Contacts: Phosphor Bronze
- . Housing: PBT (UL 94V-0)
- . Shell: Cold Roller Steel

UNIT: INCH  
MM

**ELECTRICAL CHARACTERISTICS:**

- . Current rating: 5 Amperes
- . Withstanding Voltage: AC 1200V r.m.s
- . Insulation Resistance: 1000 Megohms Minimum at DC 500V
- . Contact Resistance: 30 Milliohms Maximum
- . Operation Temperature: -55C° ~ +105C°
- . Applicable wire: # 28AWG 7 strands

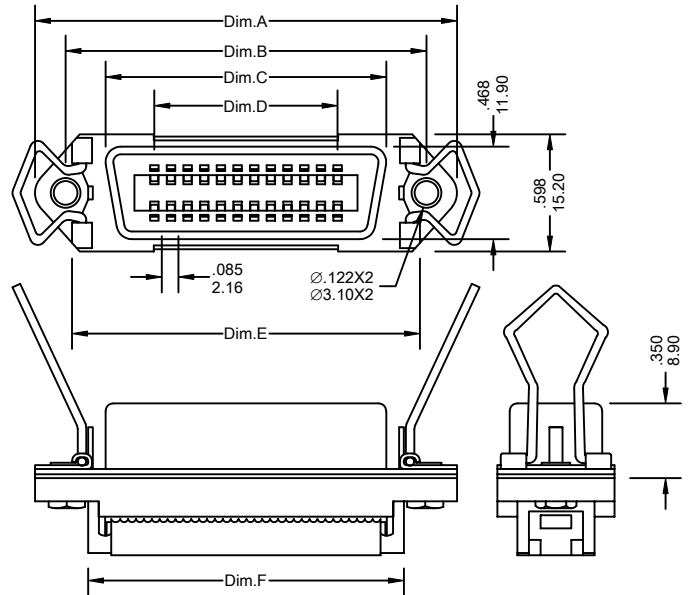
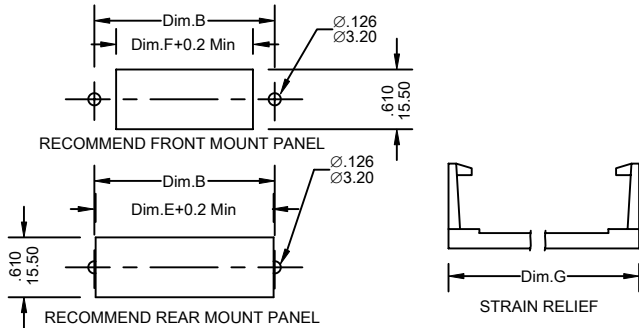
.050"[1.27mm] pitch flat cable

**MECHANICAL CHARACTERISTICS:**

- . Contact Resistance Force: 322 g. Maximum
- . Contact Separation Force: 70 g. Minimum

**FINISHES:**

- . Contact: Gold Flash ,10,15,30,50u"
- . Shell: Nickel



**Ordering Information 57F,57FE Series**

Series No.	Contact Type	No. of Contacts	Contacts Plating	Insulation Color	Strain Relief Option	
57FE	- 40	36	0	0	0	- PB
57F Series	40: Spring Latches (Receptacle)	14 36	0: Gold Flash 1: 5u" Gold 2: 10u" Gold 3: 15u" Gold 4: 30u" Gold 5: Selective Gold Flash 6: Selective 5u" Gold 7: Selective 10u" Gold 8: Selective 15u" Gold 9: Selective 30u" Gold	0: Black 1: Blue 2: White 3: Grey	0: Without Strain Relife  1: With Strain Relife	RoHs
57FE Series		24 50				

**Dimensional Information**

Dim.	Circuits	14	24	36	50
Dim.A±	.005	1.729	2.154	2.665	3.260
	0.13	43.92	54.71	67.69	82.80
Dim.B±	.004	1.417	1.842	2.352	2.947
	0.10	35.99	46.79	59.74	74.85
Dim.C±	.004	.992	1.417	1.925	2.520
	0.10	25.20	36.00	48.90	64.00
Dim.D±	.004	.510	.935	1.446	2.041
	0.10	12.96	23.76	36.72	51.84

Dim.	Circuits	14	24	36	50
Dim.E±	.004	1.384	1.809	2.315	2.923
	0.10	35.15	45.95	58.80	74.25
Dim.F±	.004	.972	1.398	2.098	2.697
	0.10	24.70	35.50	53.30	68.50
Dim.G±	.004	.972	1.398	2.142	2.776
	0.10	24.70	35.50	54.40	70.50