

Centronic Connector IDC Male For Flat Cable With Spring Latches Type



57F Series Full Plastic
57FE Series Metal Shell
(Plug)

FEATURES:

- . Contact positions: 14,24,36,50
- . Shell option with full plastic or metal front shell
- . Available in plug styles
- . Metal shell provides grounding and shielding capability
- . Equipped with spring latches for secure locking
- . Mates with industry compatible connectors

MATERIALS:

- . Contacts: Phosphor Bronze
- . Housing: PBT (UL 94V-0)
- . Shell: Cold Roller Steel

ELECTRICAL CHARACTERISTICS:

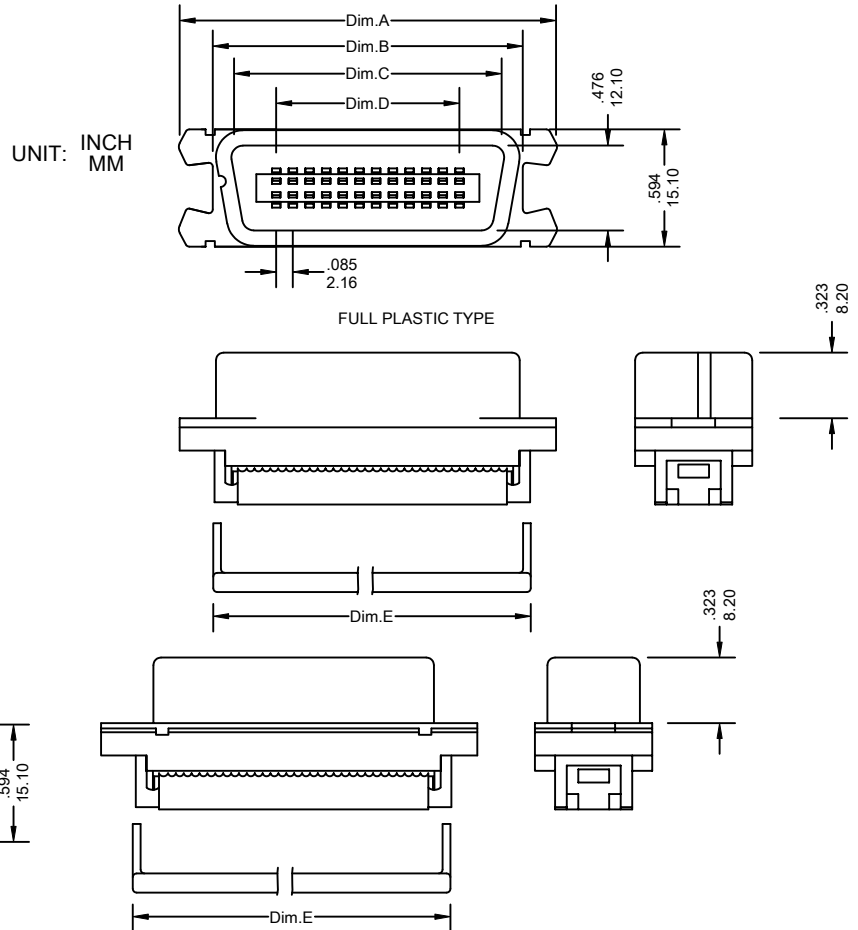
- . Current rating: 5 Amperes
- . Withstanding Voltage: AC 1200V r.m.s
- . Insulation Resistance: 1000 Megohms Minimum at DC 500V
- . Contact Resistance: 30 Milliohms Maximum
- . Operation Temperature: -55C° ~ +105C°
- . Applicable wire: # 28AWG 7 strands
.050"[1.27mm] pitch flat cable

MECHANICAL CHARACTERISTICS:

- . Contact Resistance Force: 322 g. Maximum
- . Contact Separation Force: 70 g. Minimum

FINISHES:

- . Contact: Gold Flash ,10,15,30,50u"
- . Shell: Nickel



Ordering Information 57F,57FE Series

Series No.	Contact Type	No. of Contacts	Contacts Plating	Insulation Color	Strain Relief Option	
57FE	-	30 36	0	0	0	- PB
57F Series	30: Bail Latches (Plug)	14 36	0: Gold Flash 1: 5u" Gold 2: 10u" Gold 3: 15u" Gold 4: 30u" Gold 5: Selective Gold Flash 6: Selective 5u" Gold 7: Selective 10u" Gold 8: Selective 15u" Gold 9: Selective 30u" Gold	0: Black 1: Blue 2: White 3: Grey	0: Without Strain Relife 1: With Strain Relife	RoHs
57FE Series		24 50				

Dimensional Information

Dim. \ Circuits	14	24	36	50	
Dim.A±	.005 0.13	1.488 37.80	1.913 48.60	2.425 61.60	3.008 76.40
Dim.B±	.004 0.10	1.165 29.60	1.590 40.40	2.102 53.40	2.685 68.20
Dim.C±	.004 0.10	1.004 25.50	1.429 36.30	1.937 49.20	2.551 64.80

Dim. \ Circuits	14	24	36	50	
Dim.D±	.004 0.10	.510 12.96	.935 23.76	1.446 36.72	2.041 51.84
Dim.E±	.004 0.10	.900 22.85	1.400 35.55	2.000 50.79	2.700 68.57