

Centronic Connector Solder Cup Metal Shell Female Type



57E Series (Receptacle) Top Cable Entry

FEATURES:

- . Contact positions: 14,24,36,50
- . Available in socket styles
- . Designed for cable-to-cable and cable-to-panel applications
- . Metal shell provides grounding and shielding capability
- . Terminal option with solder cup or solderless micro-pierce
- . Connector and hood sold as complete assembly
- . Mates with industry compatible connectors

MATERIALS:

- . Contacts: Phosphor Bronze
- . Housing: PBT (UL 94V-0)
- . Shell: Cold Roller Steel

ELECTRICAL CHARACTERISTICS:

- . Current rating: 5 Amperes
- . Withstanding Voltage: AC 1200V r.m.s
- . Insulation Resistance: 1000 Megohms Minimum at DC 500V
- . Contact Resistance: 30 Milliohms Maximum
- . Operation Temperature: -55C° ~ +105C°

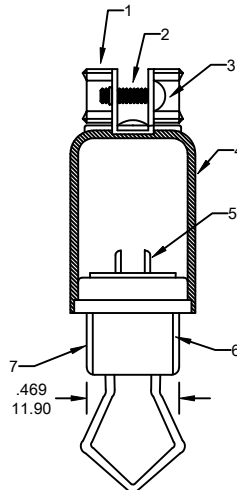
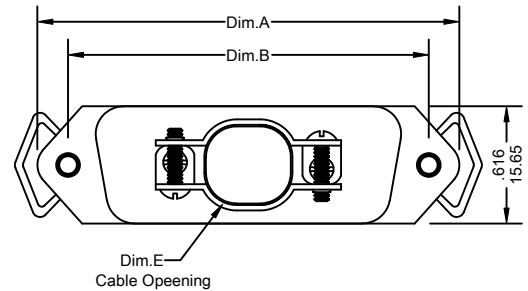
MECHANICAL CHARACTERISTICS:

- . Contact Resistance Force: 322 g. Maximum
- . Contact Separation Force: 70 g. Minimum

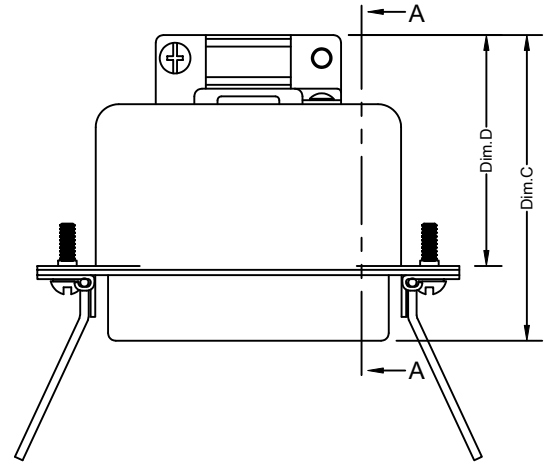
FINISHES:

- . Contact: Gold Flash ,10,15,30,50u"
- . Shell: Nickel

UNIT: INCH
MM



SECTION A-A



NO.	PART NAME
1	CABLE CLAMP
2	RIVET
3	SCREW
4	BACK SHELL
5	TERMINAL
6	INSULATOR
7	FRONT SHELL

Ordering Information 57E Series

Series No.	Contact Type	No. of Contacts	Contacts Plating	Insulation Color	
57E	- 20	36	0	0	- PB
57E Series	20: Through Hole 40: Spring Latches (Receptacle)	14 36 24 50	0: Gold Flash 1: 5u" Gold 2: 10u" Gold 3: 15u" Gold 4: 30u" Gold 5: Selective Gold Flash 6: Selective 5u" Gold 7: Selective 10u" Gold 8: Selective 15u" Gold 9: Selective 30u" Gold	0: Black 1: Blue 2: White 3: Grey	RoHs

Dimensional Information

Circuits Dim.	14	24	36	50
Dim.A± .005 0.13	1.728 43.90	2.165 55.00	2.665 67.70	3.260 82.80
Dim.B± .004 0.10	1.417 36.00	1.843 46.80	2.358 59.70	2.949 74.90
Dim.C± .004 0.10	1.577 40.07	1.560 39.62	1.640 41.65	1.729 43.93

Circuits Dim.	14	24	36	50
Dim.D± .004 0.10	.843 21.41	.825 20.96	.905 22.99	.995 25.27
Dim.E±	.004	.422*	.473*	.473*
	0.10	.306 10.72*	.473 12.01	.639 12.01*
			16.23	19.46