

.100" (2.54mm) Flat Cable P. C. B. Connector

3901 Series

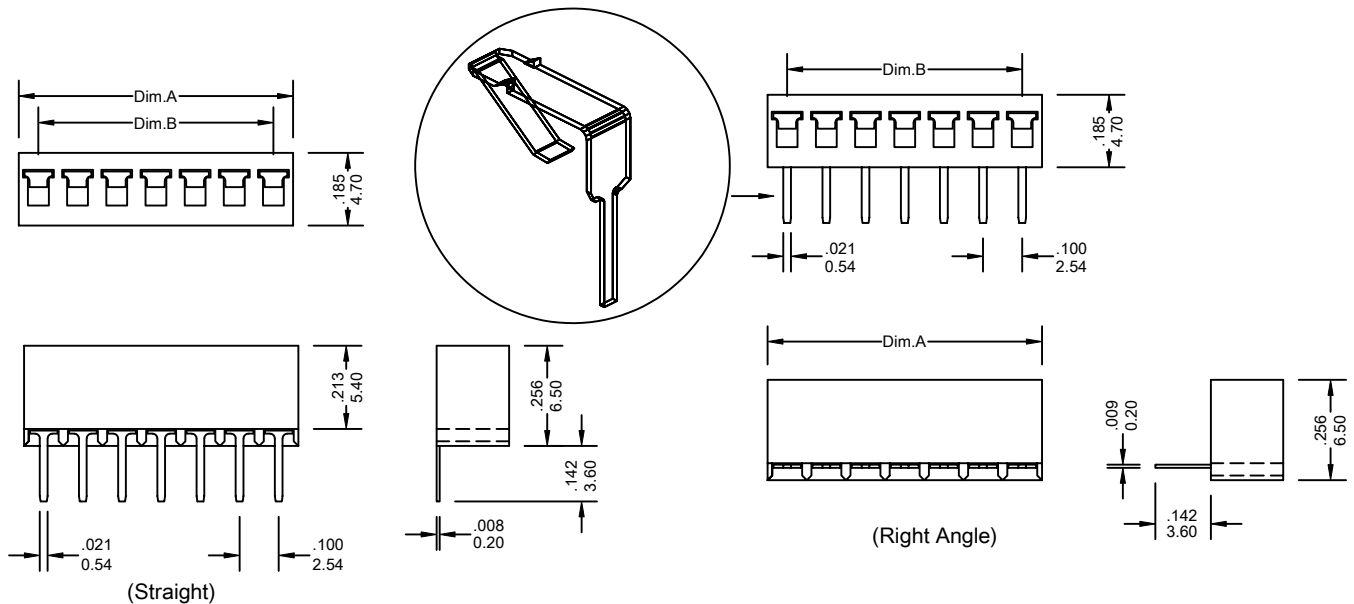
FEATURES:

- . 2-30 Circuits
- . PBT + 30% Glass Fiber [UL 94V-0]
- . Low insertion force
- . Flat flex cable connector for membrane switch application .100" [2.54mm]
- . Accepts conductors on either side of flex tail
- . Straight or right angle versions
- . Single beam contact, copper alloy, tin plated

SPECIFICATIONS:

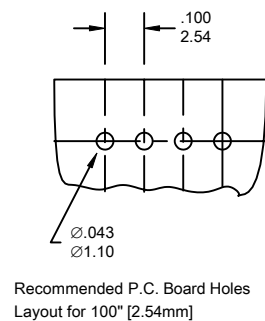
- . Current rating: 3A AC, DC
- . Voltage rating: 250V AC, Maximum
- . Temperature range: -40°C ~ +105°C
- . Contact resistance: Initial Value/10mΩ max.
After environmental testing /20mΩ max.
- . Insulation resistance: 5000 MΩ min
- . Withstand Voltage: 1500V AC/minute
- . Applicable Flat Cable: Pitch/.100"[2.54]
AWG #28~#24
- . Applicable PC board thickness: .063"[1.6mm]

UNIT: INCH
MM



Ordering Information 3901 Series

Series No.	No. of Contacts	Contact Type	Contact Plating	
3901	- 10P	S	T	- PB
3901 Series	02P ~ 30P	S: Straight R: Right Angle	T: Tin G1: Gold Flash G5: 5u" Gold G10: 10u" Gold G15: 15u" Gold G30: 30u" Gold [G: Full Gold]	S: Selective Gold S1: Gold Flash S5: 5u" Gold S10: 10u" Gold S15: 15u" Gold S30: 30u" Gold [S: Selective Gold]
				RoHs



Dimensional Information

Circuits	Dim.A± .008 0.20	Dim.B± .008 0.20	Circuits	Dim.A± .008 0.20	Dim.B± .008 0.20	Circuits	Dim.A± .008 0.20	Dim.B± .008 0.20
2	.200 5.08	.100 2.54	3	.300 7.62	.200 5.08	4	.400 10.16	.300 7.62

3901 Series

* FOR CIRCUIT SIZES 5 THROUGH 30 ADD .100" OR 2.54MM FOR EACH ADDITIONAL PIN.