

.100" (2.54mm) Pitch DIN 41612 Connector

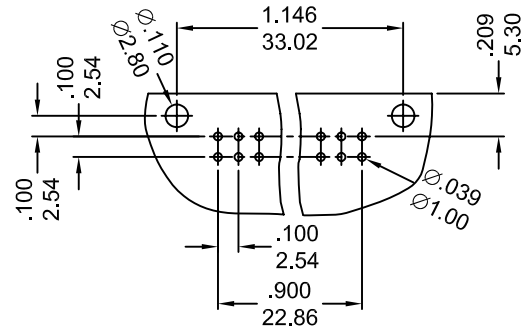
25050 Series
Female, Style Q/3 solder type

FEATURES:

- . 20 Circuits
- . Housing: PBT+30% Glass Filled UL 94V-0
- . Contact: Phosphor Bronze
- . Contact Plating: Gold Plating

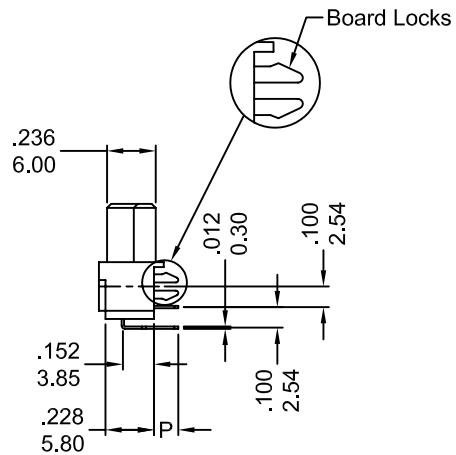
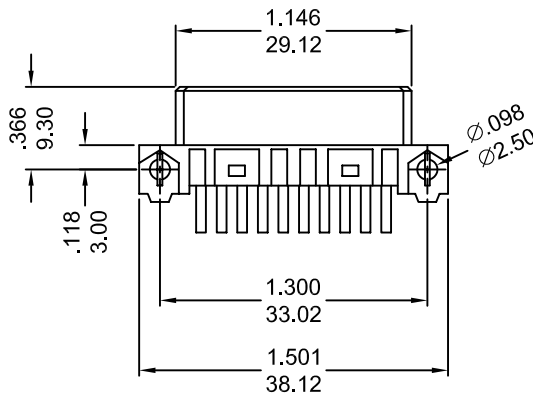
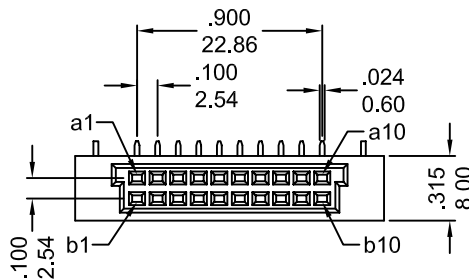
SPECIFICATIONS:

- . Current rating: 2A
- . Temperatur range: -55°C ~+ 125°C
- . Contact resistance: 20mΩ max.
- . Mating Force: .93N max. per pin
- . Solder tails for 1.6mm (.062")
- PCB savailable



UNIT: INCH
MM

Recommended P.C Board
Hole Layout



Ordering Information 25050 Series Solder

Series No.	Circuits	Contact Loading Rows	Solder Tail Dimension P	Board Locks	test conditions	
25050	- 20F	1	1	2	3	- PB
25050 Series	20F	0:Full a 1:Full a,b	1:2.80	1:Yes 2:No	2:>400 3:>50	RoHs