

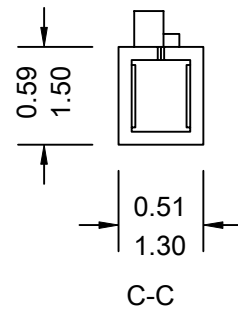
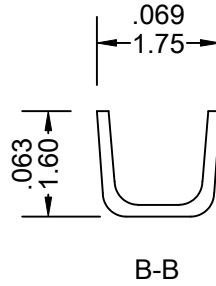
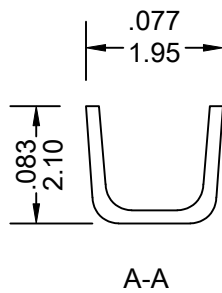
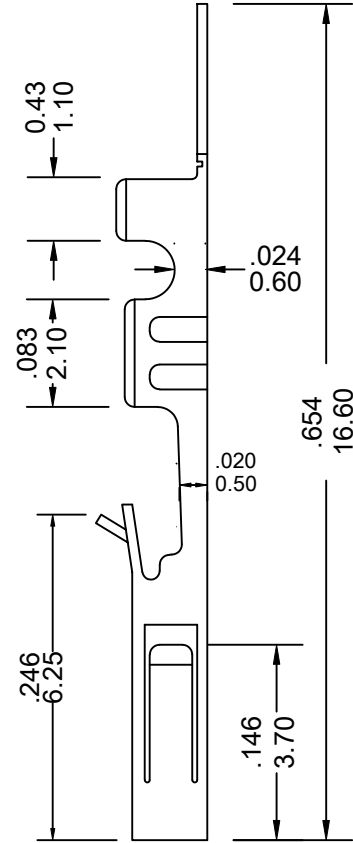
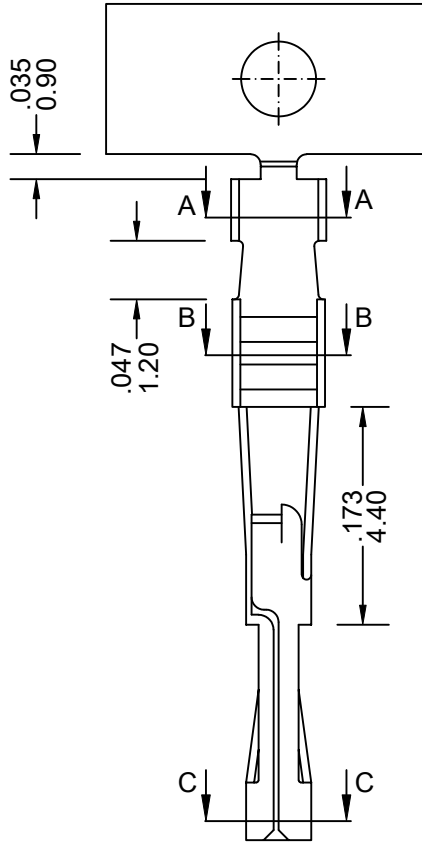
2492-T Series



FEATURES:

- . 2492-T Series Mates with VEN [2492] Series female connector
- . Accepts AWG 22-30 wire range
- . Material is Brass or Phos. Bronze
- . Qty/Reel: 15K PCS

UNIT: INCH
MM



| | | | | | |
|---------------------|----|----|----|----|----|
| Wire Gauge (AWG) | 22 | 24 | 26 | 28 | 30 |
| Pull Out Force (lb) | 10 | 8 | 6 | 4 | 3 |

Ordering Information

| Series No. | Material | Contact Plating | |
|---------------|------------------------------|---|------|
| 2492-T | BS | T | PB |
| 2492-T Series | BS: Brass PS: Phos.Bronze | T: Tin S1: Gold Flash S5: 5u" Gold S10: 10u" Gold S15: 15u" Gold S30: 30u" Gold [S: Selective Gold] | RoHs |