

.098" (2.50mm) Center Crimp Terminal Housing

2480 Series
2490 Series

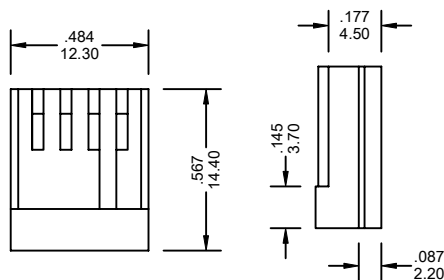
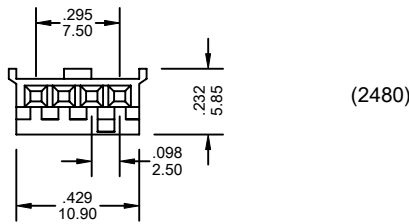
FEATURES:

- . 4 Circuits
- . Nylon, [UL 94V-0]
- . 2480 Series with locking ramp
- . 2480 Series mates with .025"[0.64mm] pins accepts double cantilever crimp terminal [2480-T]
- . 2490 Series Friction lock
- . 2490 Series .025"[0.64mm] right angle or straight square wire pins
- . 2490 Series mates with 2480 housing

SPECIFICATIONS:

- . Current rating: 3A AC, DC
- . Voltage rating: 250V AC, Maximum
- . Temperature range: -40°C ~ +105°C
- . Contact resistance: Initial Value/10mΩ max.
After environmental testing /20mΩ max.
- . Insulation resistance: 5000 MΩ min
- . Withstand voltage: 1500V AC/minute
- . Applicable PC board thickness: .063"[1.6mm]

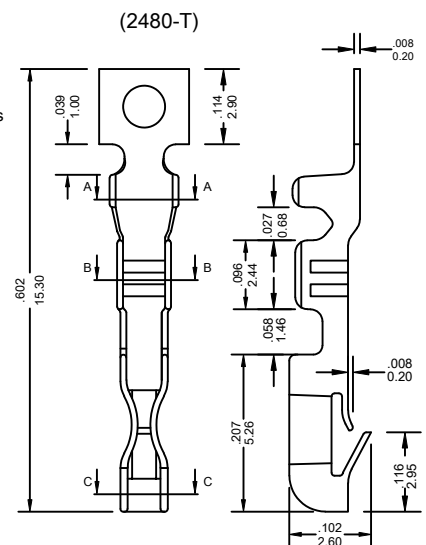
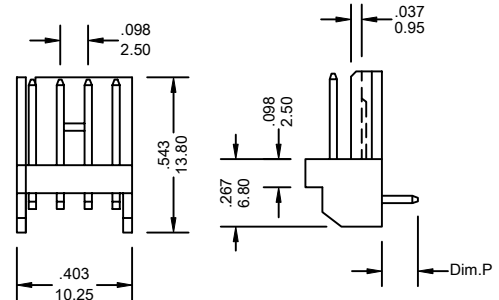
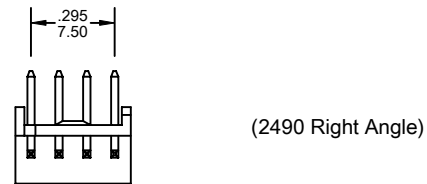
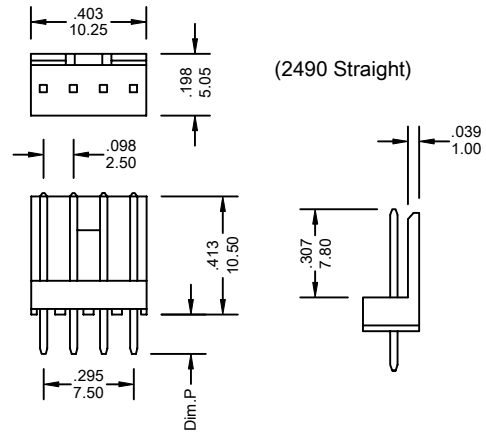
UNIT: INCH
MM



2480-T Series

FEATURES:

- . 2480-T Series Mates with VEN [2480] Series female connector
- . Accepts AWG 22-30 wire range
- . Material is Brass or Phos. Bronze
- . Qty/Reel: 10K PCS



Ordering Information 2480 Series

Series No.	No. of Contacts	
2480	04P	A
2480 Series	04P	RoHs

Ordering Information 2480-T

Series No.	Material	Contact Plating	
2480-T	BS	T	PB
2480-T Series	BS: Brass PS: Phos. Bronze	T: Tin	RoHs

Ordering Information 2490 Series

Series No.	No. of Contacts	Contact Type	Contact Plating	Dim. P	Material	
2490	04P	S	G1	3.45	6T	PB
2490 Series	04P	S: Straight R: Right Angle	T: Tin G1: Gold Flash G5: 5u" Gold G10: 10u" Gold G15: 15u" Gold G30: 30u" Gold [G: Full Gold]	2.0: 2.0mm 3.45: 3.45mm (Standard)	Nylon 6T Nylon 66 Nylon 46	RoHs
* PIN LENGTH CAN BE CHANGED TO CUSTOM'S SPECIFICATION						

