

.200" (5.08mm) Power Plug

2470 Series

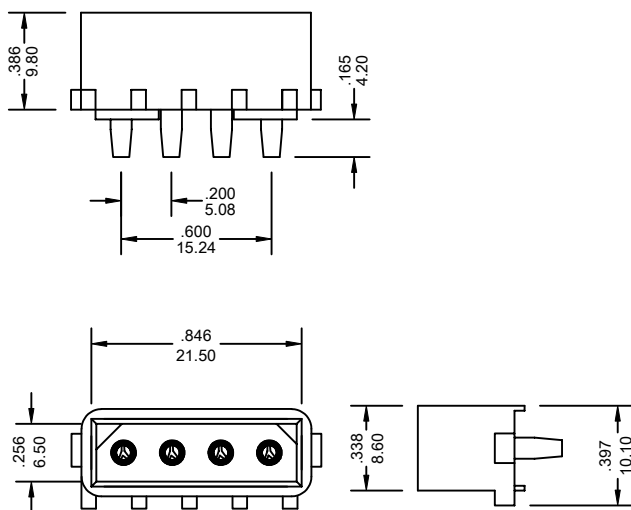
FEATURES:

- . 4 Circuits
- . Two PC Tail lengths [right angle]
- . Housing [UL 94V-2] or [UL 94V-0] Nylon 66
- . Terminal, Brass, .084"[2.13mm] dia.:
- Plating, Electro-tin/copper
- . Friction lock feature on right angle version for stability during wave soldering
- . Friction lock inside housing for improved retention of mating connector
- . Mates with 2430 housing 2470-F socket headers

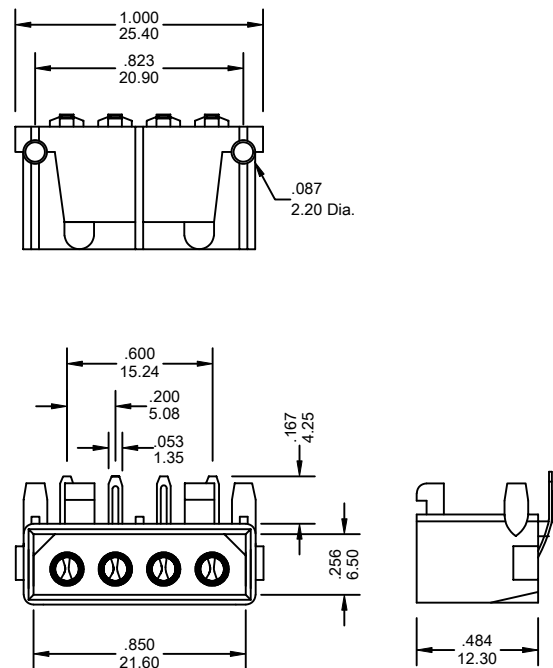
SPECIFICATIONS:

- . Current rating: 7A AC, DC
- . Voltage rating: 250V AC, Maximum
- . Temperature range: -40°C ~ +105°C
- . Contact resistance: Initial Value/10mΩ max.
After environmental testing
/20mΩ max.
- . Insulation resistance: 5000 MΩ min
- . Withstand voltage: 1500V AC/minute
- . Applicable PC board thickness: .063"[1.6mm]

UNIT: INCH
MM



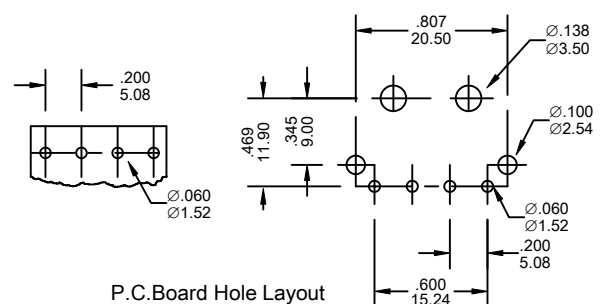
(S: Straight)



(R: Right Angle)

Ordering Information 2470 Series

Series No.	No. of Contacts	Contact Type	Contact Plating	
2470	04P	S	G1	- PB
2470 Series	04P	S: Straight R: Right Angle	T: Tin G1: Gold Flash G5: 5u" Gold G10: 10u" Gold G15: 15u" Gold G30: 30u" Gold [G: Full Gold]	RoHs



P.C. Board Hole Layout