



# .156" (3.96mm) Center Crimp Terminal Housing

## 2450 Series

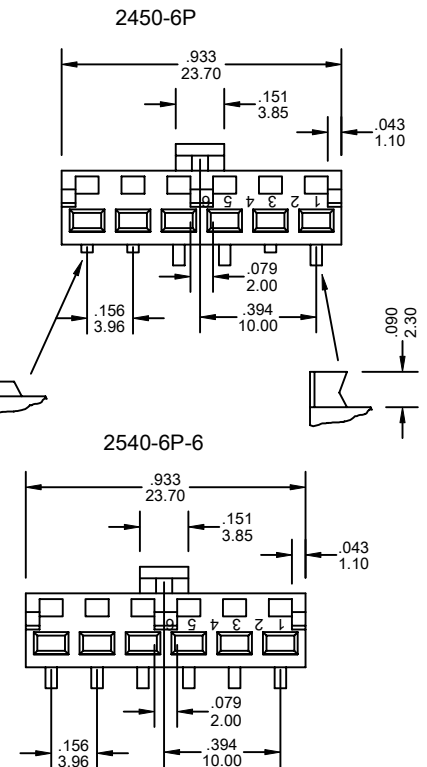
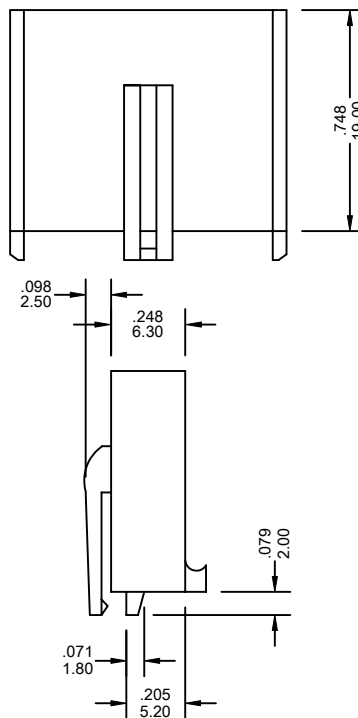
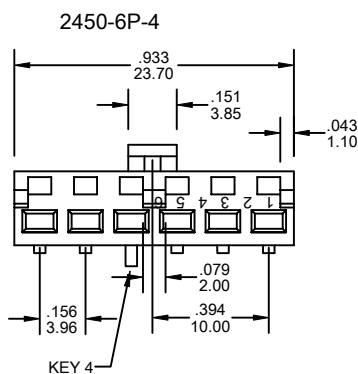
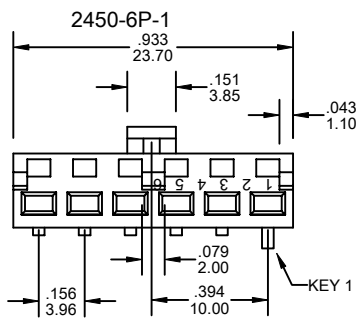
### FEATURES:

- . 6 circuits
- . With locking ramp
- . Nylon [UL 94V-0]
- . Accepts double cantilever crimp terminal: [2410-T]
- . Mates with .156"[3.96mm] center wafer [2460]
- . Terminal retention to housing - 8lbs. [3.63kg] minimum

### SPECIFICATIONS:

- . Current rating: 7A AC, DC
- . Voltage rating: 250V AC, Maximum
- . Temperature range: -40°C ~ +105°C
- . Contact resistance: Initial Value/10mΩ max. After environmental testing /20mΩ max.
- . Insulation resistance: 5000 MΩ min
- . Withstand voltage: 1500V AC/minute
- . Applicable wires: AWG#22~#18

UNIT: INCH  
MM



### Ordering Information 2450 Series

HOUSING						
Order Number	Keying at Circuit Positions					
	1	2	3	4	5	6
2450-06P-A	YES	NO	YES	YES	NO	NO
2450-06P-1-A	YES	NO	NO	NO	NO	NO
2450-06P-4-A	NO	NO	NO	YES	NO	NO
2450-06P-6-A	YES	YES	YES	YES	YES	YES

HOUSING						
Order Number	Keying at Circuit Positions					
	1	2	3	4	5	6
2450-06P-P8-A	YES	NO	YES	YES	NO	NO
2450-06P-P9-A	YES	NO	YES	YES	NO	NO
2450-06P-4-P8-A	NO	NO	NO	YES	NO	NO
2450-06P-1-P9-A	YES	NO	NO	NO	NO	NO

\* SPECIAL DESING INJECTED WITH "P8", "P9".