

.093" (2.36mm) Power Connector (Receptacle)

2361-F Series

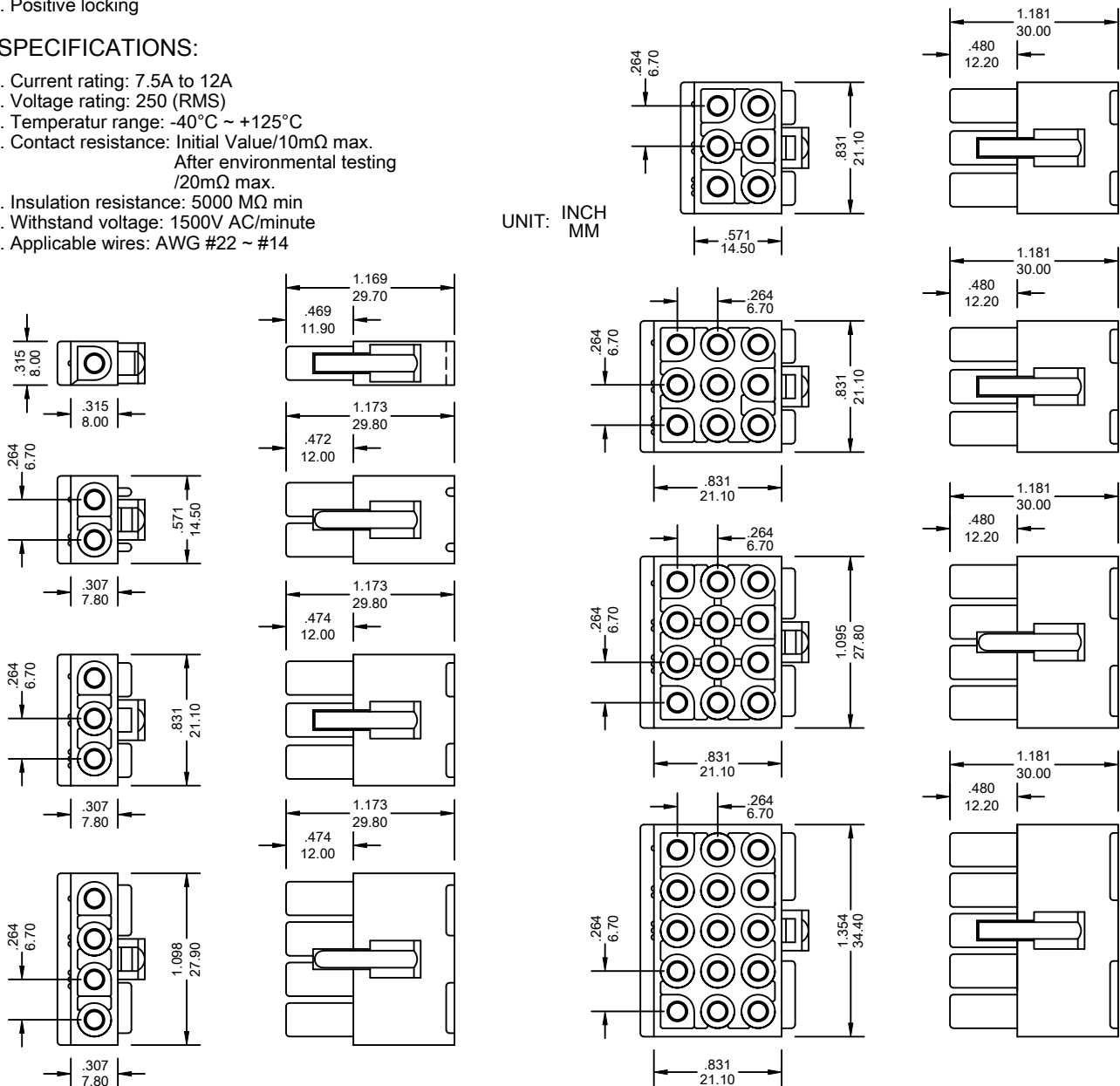
FEATURES:

- . 1,2,3,4,6,9,12 and 15 Circuits
- . Integrally molded polarization
- . 94V-2 and 94V-0 nylon
- . Accept VEN .093" (2.36mm) diameter terminal [2360-TF-TBS-T]
- . Integrally molded mounting ears available on plug only
- . Positive locking

SPECIFICATIONS:

- . Current rating: 7.5A to 12A
- . Voltage rating: 250 (RMS)
- . Temperature range: -40°C ~ +125°C
- . Contact resistance: Initial Value/10mΩ max.
After environmental testing /20mΩ max.
- . Insulation resistance: 5000 MΩ min
- . Withstand voltage: 1500V AC/minute
- . Applicable wires: AWG #22 ~ #14

UNIT: INCH
MM



Ordering Information 2361-F Series

Series No.	No. of Contacts	Housing Type	Material	
2361	- 04P	F	- V2	- A
2361 Series	01P 04P 09P 02P 05P 12P 03P 06P 15P	F: Female FA: Female / Ear	V2: UL 94V-2, Nature	RoHs