

.100" (2.54mm) Center Header Single Row Straight SMT Type  
 .100" (2.54mm) Center Header Dual Row Straight SMT Type



2100-SMT Series  
 2200-SMT Series

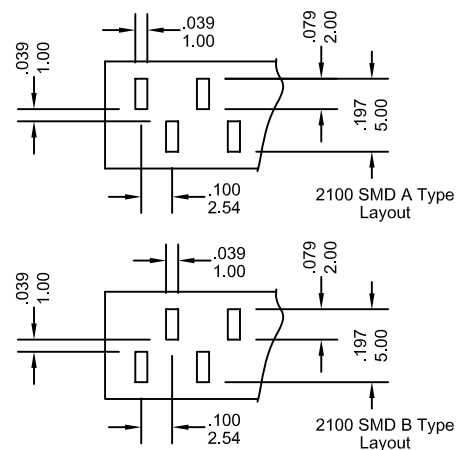
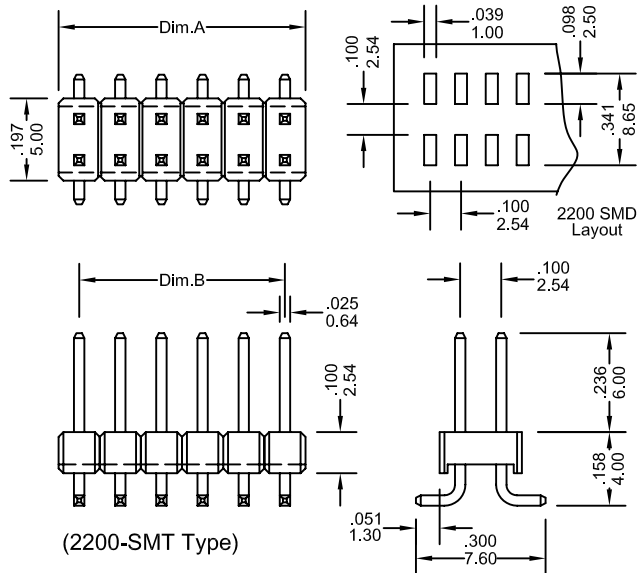
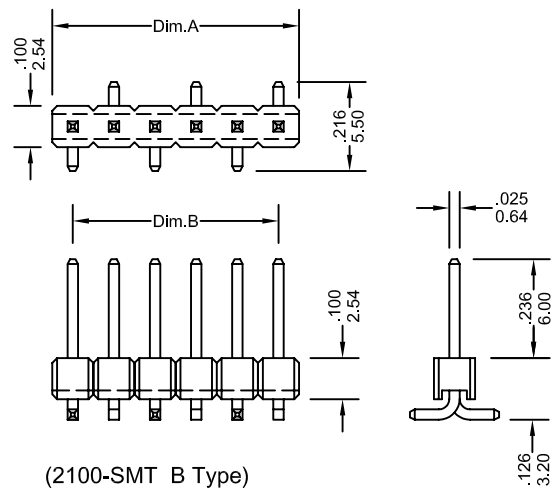
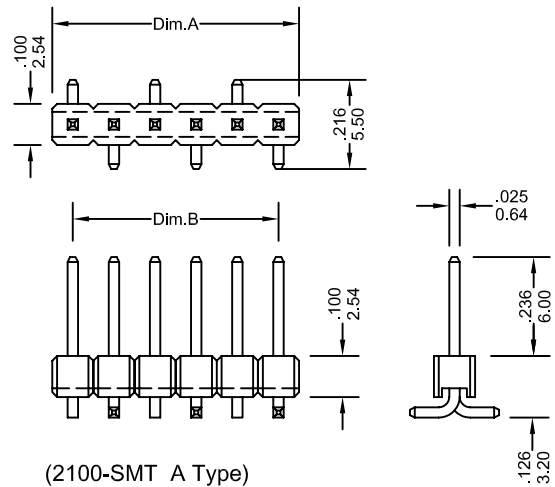
FEATURES:

- . 2100 Series 2-40 Circuits, 2200 Series 4-80 Circuits
- . .025"[0.64mm] Square wire pins
- . PBT or Nylon 6T, [UL 94V-0]
- . SMT Type
- . P.C.Board and back planes

SPECIFICATIONS:

- . Current rating: 3A AC, DC
- . Voltage rating: 250V AC, Maximum
- . Temperature range: -40°C ~ +105°C
- . Contact resistance: Initial Value/10mΩ max.  
 After environmental testing /20mΩ max.
- . Insulation resistance: 5000 MΩ min
- . Withstand voltage: 1500V AC/minute
- . Applicable PC board thickness: .063"[1.6mm]

UNIT: INCH  
 MM



Ordering Information 2100,2200-SMT Series

Series No.	No. of Contacts	Contact Type	Contact Plating	Tail Style	Material	
2100-SMT	10P	S	G1	A	6T	PB
2100-SMT Series (A & B Type)	02P ~ 40P	S: Straight	T: Tin G1: Gold Flash G5: 5u" Gold G10: 10u" Gold G15: 15u" Gold G30: 30u" Gold [G: Full Gold]	A: A Type B: B Type	Nylon 6T	RoHs
2200-SMT Series	2X02P ~ 2X40P					

Dimensional Information

Circuits	Dim.A± .008 0.20	Dim.B± .008 0.20	Circuits	Dim.A± .008 0.20	Dim.B± .008 0.20	Circuits	Dim.A± .008 0.20	Dim.B± .008 0.20
2	.200 5.08	.100 2.54	3	.300 7.62	.200 5.08	4	.400 10.16	.300 7.62

2100-SMD Series

\* FOR CIRCUIT SIZES 5 THROUGH 40 ADD .100" OR 2.54MM FOR EACH ADDITIONAL PIN.

Circuits	Dim.A± .008 0.20	Dim.B± .008 0.20	Circuits	Dim.A± .008 0.20	Dim.B± .008 0.20	Circuits	Dim.A± .008 0.20	Dim.B± .008 0.20
4	.200 5.08	.100 2.54	6	.300 7.62	.200 5.08	8	.400 10.16	.300 7.62

2200-SMD Series

\* FOR CIRCUIT SIZES 10 THROUGH 80 ADD .100" OR 2.54MM FOR EACH ADDITIONAL PIN.