

.059" (1.50mm) Center Wafer Assembly

1560 Series

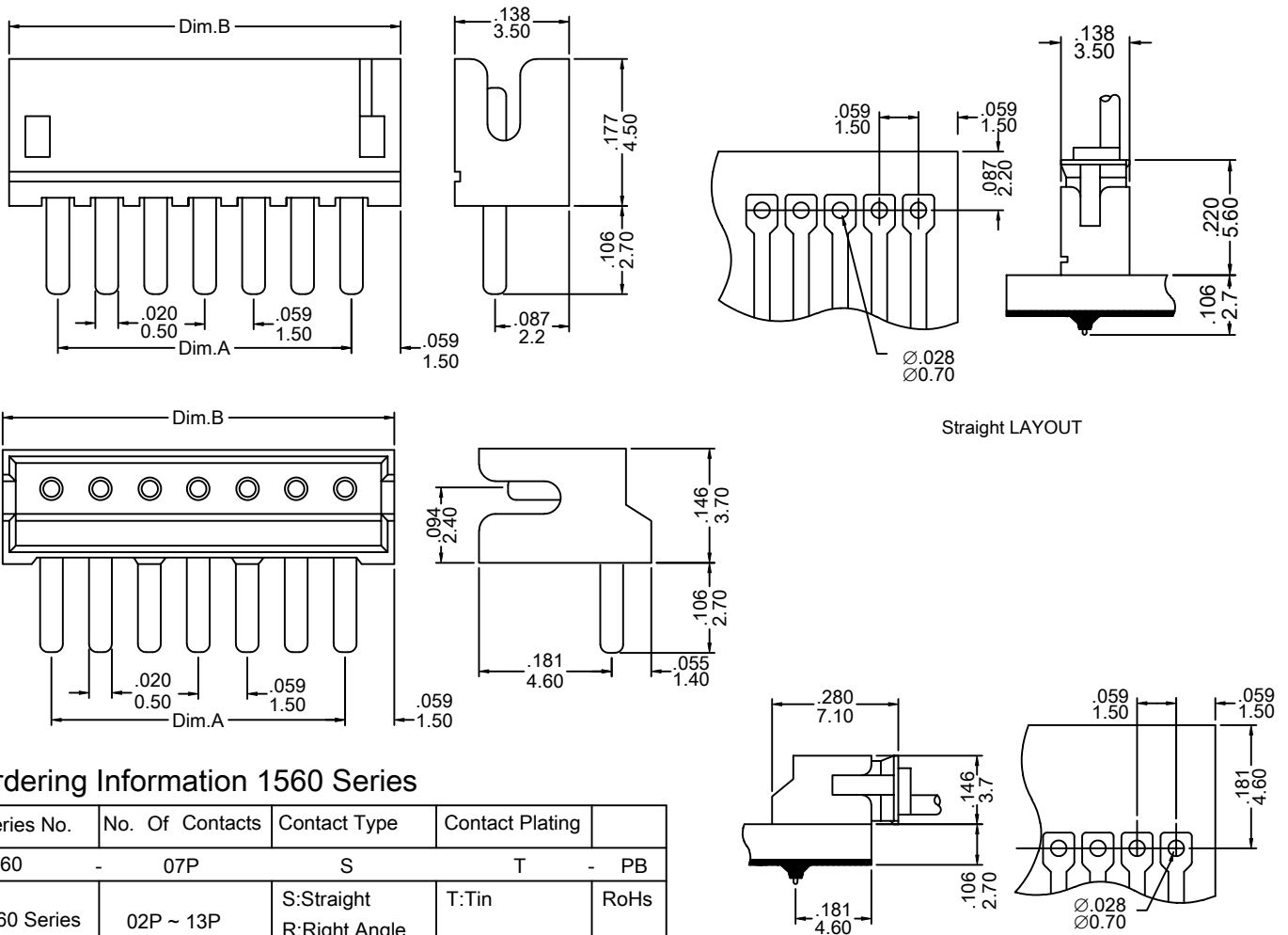
FEATURES:

- . 2-13 Circuits
- . .020" [0.50mm] round wire pins brass
- . Nylon 66, [UL 94V-0]
- . Mates with 1500 PC Board connectors

SPECIFICATIONS:

- . Current rating: 1A AC, DC
- . Voltage rating: 50V AC, Maximum
- . Temperatur range: -20°C ~ +85°C
- . Insulation resistance: 1000 MΩ min
- . Withstand Voltange: 800V AC/minute
- . Applicable PC Board thickness 0.6 ~ 1.2mm
- . Applicable PC Board hold dia $\varnothing 0.7 \pm 0.03$ mm

UNIT: INCH
MM



Ordering Information 1560 Series

Series No.	No. Of Contacts	Contact Type	Contact Plating	
1560	- 07P	S	T	- PB
1560 Series	02P ~ 13P	S: Straight R: Right Angle	T: Tin	RoHs

Dimensional Information

Circuits	Dim.A ± .008 0.20	Dim.B ± .008 0.20	Circuits	Dim.A ± .008 0.20	Dim.B ± .008 0.20	Circuits	Dim.A ± .008 0.20	Dim.B ± .008 0.20
2	.059 1.50	.177 4.50	3	.118 3.00	.236 6.00	4	.177 4.50	.295 7.50

1560 Series

* FOR CIRCUIT SIZES 5 THROUGH 13 ADD .059" OR 1.50MM FOR EACH ADDITIONAL PIN.