

## .118" (3.00mm) Dual Row Housing

### 13020 Series (Plug)

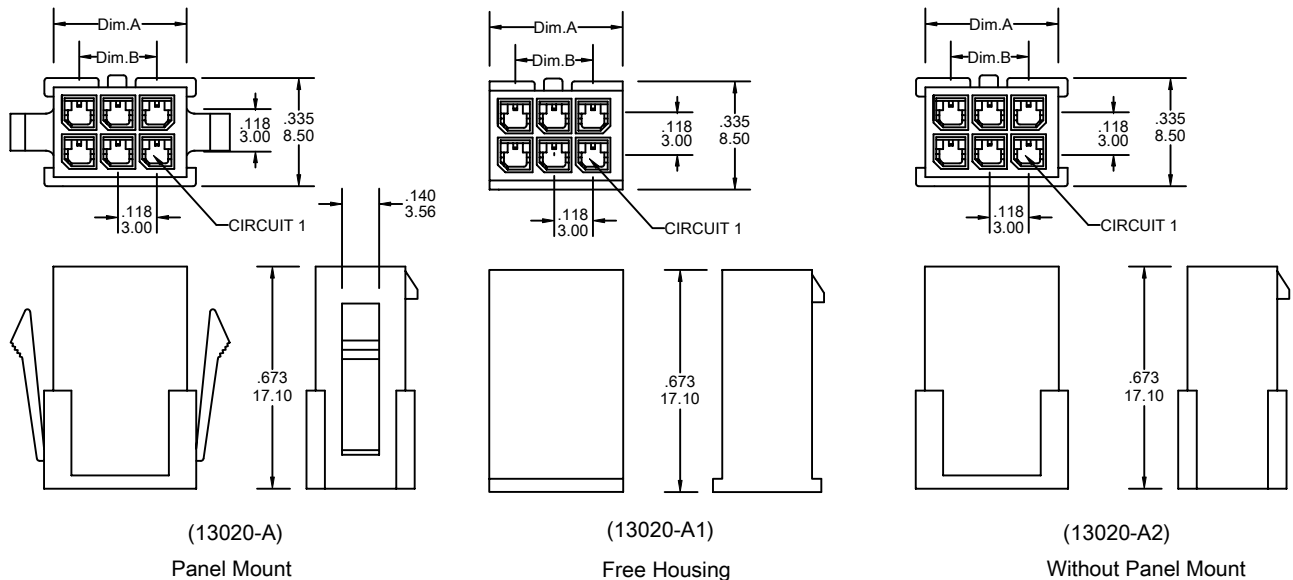
#### FEATURES:

- . 2-24 Circuits
- . Housing: Nylon, [UL 94V-0]
- . Contact: Phosphor Bronze
- . Plating: Tin or Gold
- . Fully isolated contacts
- . Fully Polarized to mating receptacle
- . Integral pull tabs for ease in unmating
- . Optional panel mount ears
- . Accepts double cantilever crimp terminal [13020-T]

#### SPECIFICATIONS:

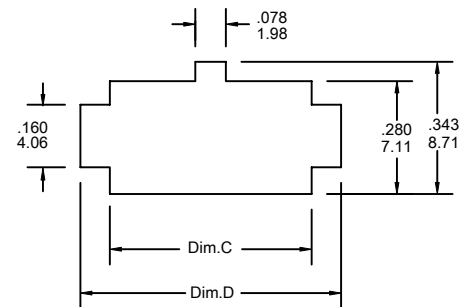
- . Voltage rating: 250V
- . Current rating: 5A AC, DC
- . Contact resistance: Initial Value/10mΩ max.
- . Withstand Voltage: 1500V AC/minute
- . Insulation resistance: 1000 MΩ min

UNIT: INCH  
MM



### Ordering Information 13020 Series

Series No.	No. of Contacts	Panel Function	
13020	- 2X03P	- A	- A
13020 Series	2X01P ~ 2X12P	A: With Panel Mount A1: Free Housing A2: Without Panel Mount	RoHs



PANEL OPENING  
RECOMMENDED PANEL THICKNESS:  $\frac{.062}{1.57}$

### Dimensional Information

Circuits	A	B	C	D	Circuits	A	B	C	D
2	.152 3.86	—	.161 4.09	.311 7.90	4	.270 6.85	.118 3.00	.279 7.09	.429 10.90
6	.388 9.85	.236 6.00	.397 10.08	.547 13.89	8	.506 12.85	.354 9.00	.515 13.08	.665 16.89

\* FOR CIRCUIT SIZES 10 THROUGH 24 ADD .118" OR 3.00MM FOR EACH ADDITIONAL PIN.

## .118" (3.00mm) Dual Row Housing

### 13025 Series (Receptacle)

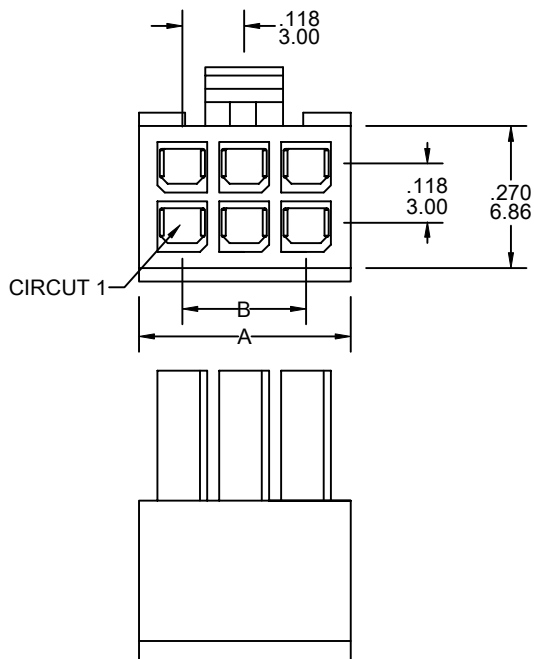
#### FEATURES:

- . 2-24 Circuits
- . Housing: Nylon, [UL 94V-0]
- . Contact: Phosphor Bronze
- . Plating: Tin or Gold
- . Positive latching to mating headers or plugs
- . Fully isolated terminals
- . Fully polarized to mating headers and plugs
- . Accepts double cantilever crimp terminal [13025-T]

#### SPECIFICATIONS:

- . Voltage rating: 250V
- . Current rating: 5A AC, DC
- . Contact Resistance: 10mΩ max
- . Withstand Voltage: 1500V AC/minute
- . Insulation resistance: 1000 MΩ min

UNIT: INCH  
MM



### Ordering Information 13025 Series

Series No.	No. of Contacts	
13025	- 2X03P	- A
13025 Series	2X01P ~ 2X12P	RoHs

### Dimensional Information

Circuits	Dim.A± .008 0.20	Dim.B± .008 0.20	Circuits	Dim.A± .008 0.20	Dim.B± .008 0.20	Circuits	Dim.A± .008 0.20	Dim.B± .008 0.20
2	.152 3.85	—	4	.270 6.85	.118 3.00	6	.388 9.85	.236 6.00

\* FOR CIRCUIT SIZES 8 THROUGH 24 ADD .118" OR 3.00MM FOR EACH ADDITIONAL PIN.



# .118" (3.00mm) Single Row Header

## 13650 Series

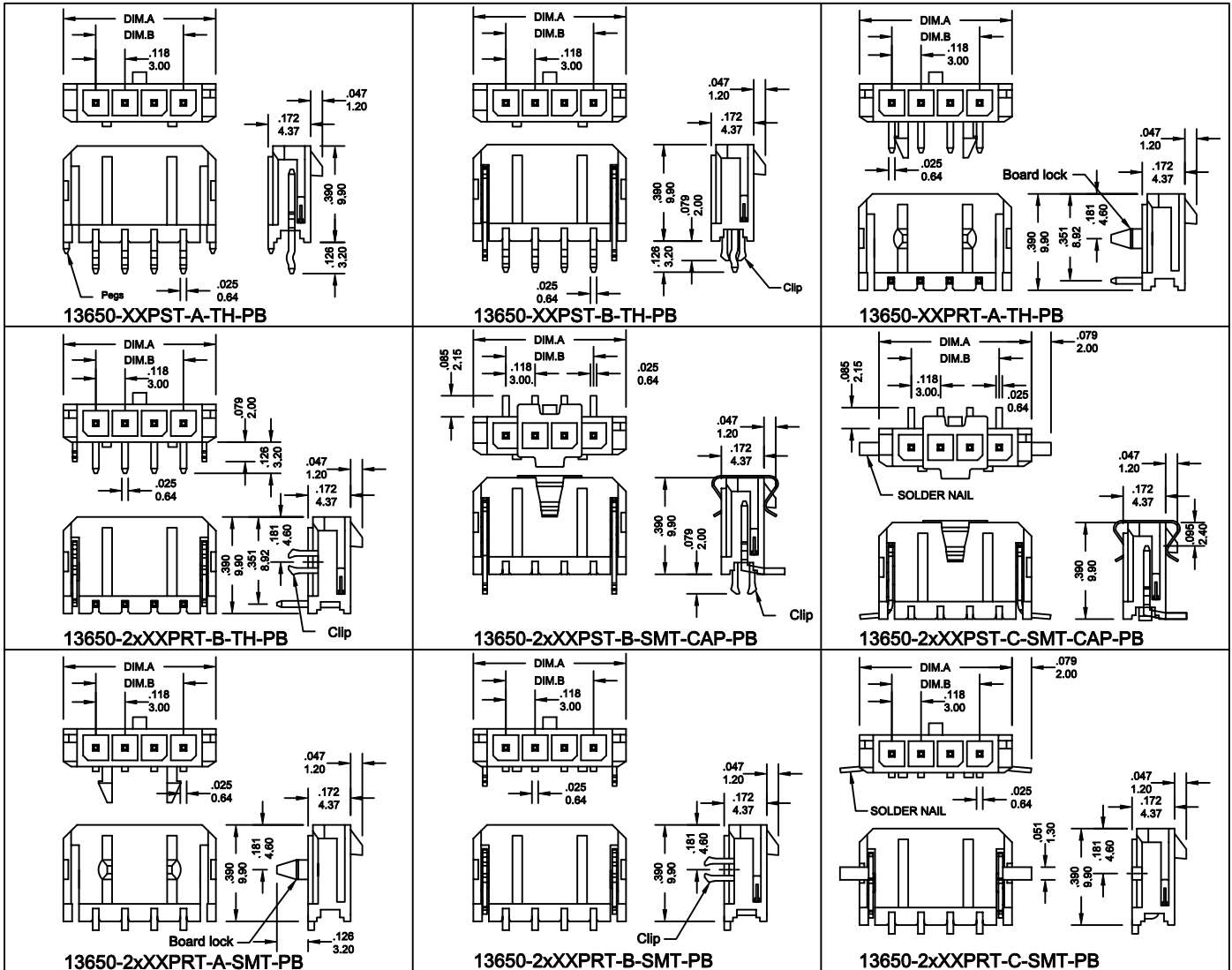
### FEATURES:

- . 2-12 Circuits
- . High temperature LCP, [UL 94V-0]
- . Plating: Tin , select Glod
- . Contact: Brass

### SPECIFICATIONS:

- . Current rating: 5A AC. DC
- . Voltage rating: 250V AC. Maximum
- . Temperatur range: -40°C ~ +105°C
- . Contact resistance: Initial Value/10mΩ max.
- . Insulation resistance: 1000 MΩ min
- . Withstand Voltage: 1500V AC/minute

UNIT: INCH  
MM



## Ordering Information 13650 Series

Series No.	No. of Contacts	Contact Type	Contact Plating	Other Options	P.C.B Mount		
13650	- 02P	S	T	- B	- SMT	- CAP	- PB
13650 Series	02P ~ 12P	S: STRAIGHT R: RIGHT ANGLE	T: Tin S1: Gold Flash S5: 5u" Gold S10: 10u" Gold S15: 15u" Gold S30: 30u" Gold [S: Selective Gold]	A: Straight with Pegs : Right Angle with Board Lock B: Straight with Pegs / Clip : Right Angle with Clip C: Straight with Solder Nail : Right Angle with Solder Nail	TH: Through Type SMT: SMT Type	With CAP	RoHs
* PIN LENGTH CAN BE CHANGED TO CUSTOM'S SPECIFICATION							

## Dimensional Information

Circuits	Dim.A± .008 0.20	Dim.B± .008 0.20	Circuits	Dim.A± .008 0.20	Dim.B± .008 0.20	Circuits	Dim.A± .008 0.20	Dim.B± .008 0.20	Circuits	Dim.A± .008 0.20	Dim.B± .008 0.20
2	.380 9.65	.118 3.00	3	.498 12.65	.236 6.00	4	.616 15.65	.354 9.00	5	.734 18.65	.472 12.00
6	.852 21.65	.591 15.00	7	.971 24.65	.709 18.00	8	1.089 27.65	.827 21.00	9	1.207 30.65	.945 24.00
10	1.325 33.65	1.063 27.00	11	1.443 36.65	1.181 30.00	12	1.561 39.65	1.299 33.00			