

## .118" (3.00mm) Dual Row Housing

### 13020 Series (Plug)

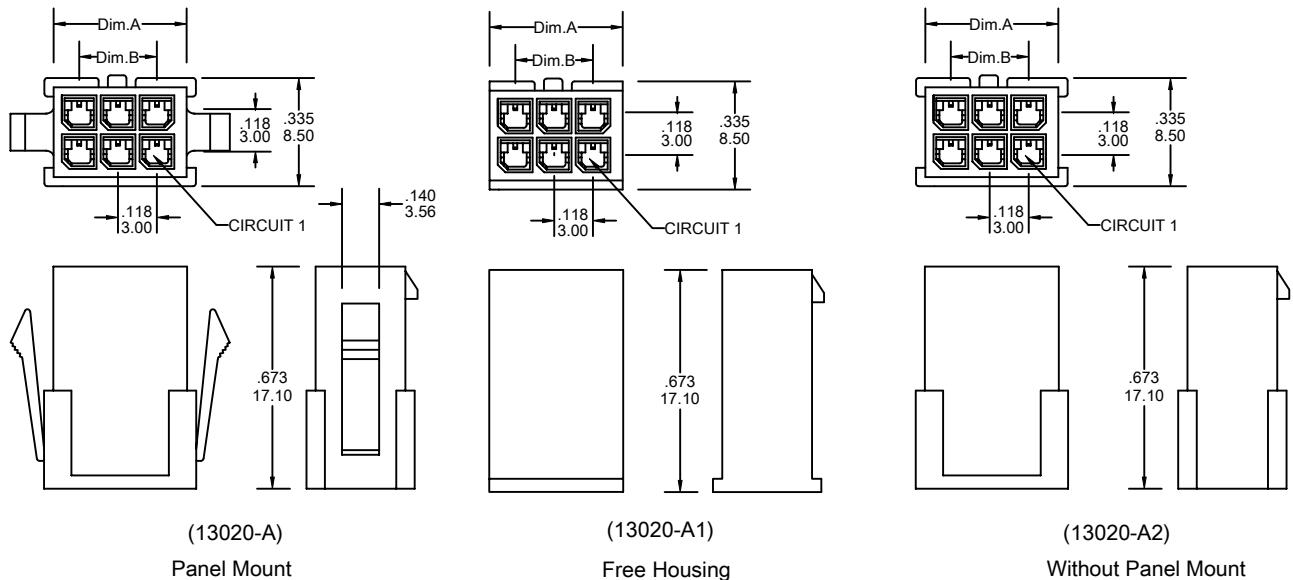
#### FEATURES:

- . 2-24 Circuits
- . Housing: Nylon, [UL 94V-0]
- . Contact: Phosphor Bronze
- . Plating: Tin or Gold
- . Fully isolated contacts
- . Fully Polarized to mating receptacle
- . Integral pull tabs for ease in unmating
- . Optional panel mount ears
- . Accepts double cantilever crimp terminal [13020-T]

#### SPECIFICATIONS:

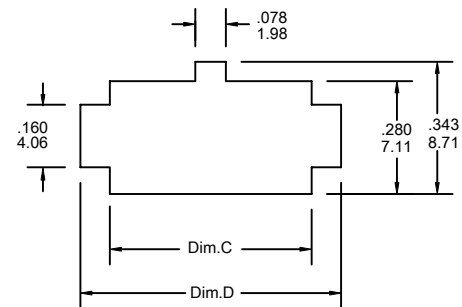
- . Voltage rating: 250V
- . Current rating: 5A AC, DC
- . Contact resistance: Initial Value/10mΩ max.
- . Withstand Voltage: 1500V AC/minute
- . Insulation resistance: 1000 MΩ min

UNIT: INCH  
MM



### Ordering Information 13020 Series

Series No.	No. of Contacts	Panel Function	
13020	- 2X03P	- A	- A
13020 Series	2X01P ~ 2X12P	A: With Panel Mount A1: Free Housing A2: Without Panel Mount	RoHs



PANEL OPENING  
RECOMMENDED PANEL THICKNESS:  $\frac{.062}{1.57}$

### Dimensional Information

Circuits	A	B	C	D	Circuits	A	B	C	D
2	.152 3.86	—	.161 4.09	.311 7.90	4	.270 6.85	.118 3.00	.279 7.09	.429 10.90
6	.388 9.85	.236 6.00	.397 10.08	.547 13.89	8	.506 12.85	.354 9.00	.515 13.08	.665 16.89

\* FOR CIRCUIT SIZES 10 THROUGH 24 ADD .118" OR 3.00MM FOR EACH ADDITIONAL PIN.