

.100" (2.54mm) Center P.C.Board Connectors

1254-CA Series

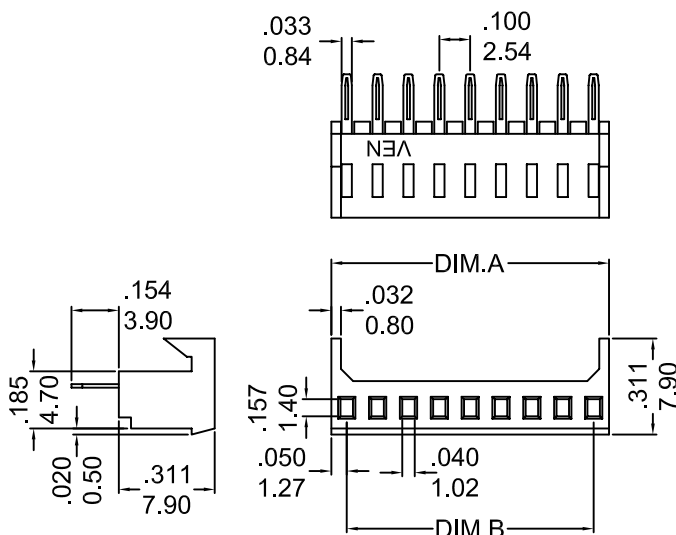
FEATURES:

- . 2-25 Circuits
- . Housing, UL 94V-0 Nylon 66
- . Designed for parallel and perpendicular board stacking, connection
- . Mates with .025"[0.64mm] square pins
- . Mounted on a board right angle headers, and straight headers

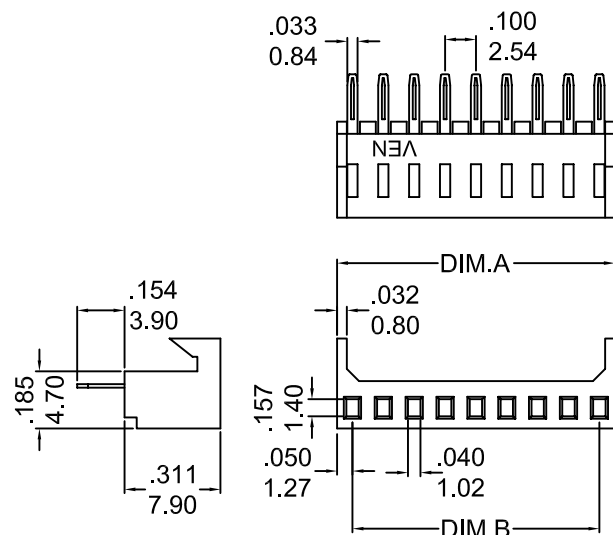
SPECIFICATIONS:

- . Current rating: 3A AC, DC
- . Voltage rating: 250V AC, Maximum
- . Temperature range: -40°C ~+ 105°C
- . Contact resistance: Initial Value/10mΩ max.
After environmental testing /20mΩ max.
- . Insulation resistance: 5000 MΩ min
- . Withstand voltage: 1500V AC/minute
- . Applicable PC board thickness: .063"[1.6mm]

UNIT: INCH
MM



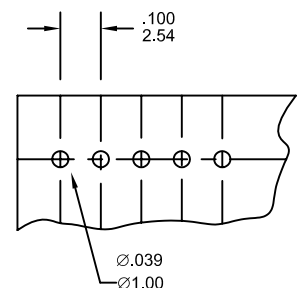
(Y: With Locking Ramp)



(N: Without Locking Ramp)

Ordering Information 1254-CA Series

Series No.	No. of Contacts	Polarizing Rib	Contact Plating	Contact Type	
1254-CA	- 07P	Y	T	- S	PB
1254-CA Series	02P ~ 25P	Y: With Locking Ramp N: Without Locking Ramp	T: Tin S1: Gold Flash S5: 5u" Gold S10: 10u" Gold S15: 15u" Gold S30: 30u" Gold [S: Selective Gold]	S: Straight R: Right Angle	RoHs



P.C.Board Hole Dimensions

Dimensional Information

Circuits	Dim.A± .008 0.20	Dim.B± .008 0.20	Circuits	Dim.A± .008 0.20	Dim.B± .008 0.20	Circuits	Dim.A± .008 0.20	Dim.B± .008 0.20
2	.100 2.54	.200 5.08	3	.200 5.08	.300 7.62	4	.300 7.62	.400 10.16

1254-CA Series

* FOR CIRCUIT SIZES 5 THROUGH 25 ADD .100" OR 2.54MM FOR EACH ADDITIONAL PIN.