

# .165" (4.20mm) Header

## 12440 Series

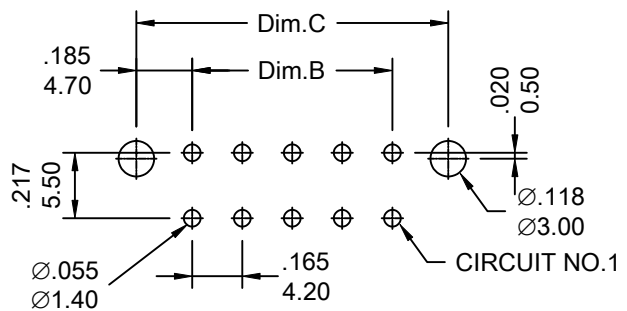
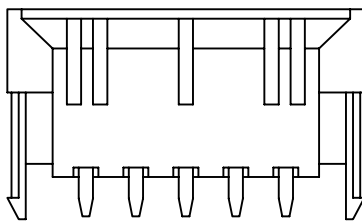
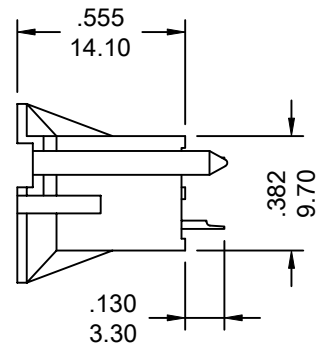
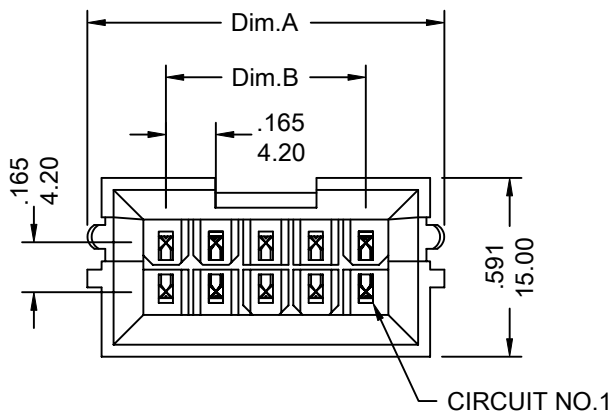
### FEATURES:

- . 4-24 Circuits
- . Nylon66 , [UL 94V-0] [UL94V-2]
- . Plating: Tin , select Gold
- . Contact: Brass or Phosphor Bronze
- . Positive housing locks to mate with VEN 15557 series
- . Fully isolated terminals to protect contacts from damage
- . Mini-Fit BMI connectors have the capability of being selectively loaded with longer pins for grounding

### SPECIFICATIONS:

- . Current rating: 9A AC, DC
- . Voltage rating: 600V AC, Maximum
- . Temperature range: -40°C ~ +105°C
- . Contact resistance: Initial Value/10mΩ max.
- . Insulation resistance: 1000 MΩ min
- . Withstand Voltage: 1500V AC/minute

UNIT: INCH  
MM



PCB LAYOUT COMPONENT SIDE  
RECOMMENDED PCB THICKNESS  $\frac{.070}{1.78}$  MAX

### Ordering Information 12440 Series

Series No.	No. of Contacts	Contact Type	Contact Plating	
12440	- 04P	S	T	- PB
12440 Series	04P & 24P	S: Straight	T: Tin S1: Gold Flash S5: 5u" Gold S10: 10u" Gold S15: 15u" Gold S30: 30u" Gold [S: Selective Gold]	RoHs
* PIN LENGTH CAN BE CHANGED TO CUSTOM'S SPECIFICATION				

### Dimensional Information

Circuits	Dim.A± $\frac{.008}{0.20}$	Dim.B± $\frac{.008}{0.20}$	Dim.C± $\frac{.008}{0.20}$	Circuits	Dim.A± $\frac{.008}{0.20}$	Dim.B± $\frac{.008}{0.20}$	Dim.C± $\frac{.008}{0.20}$	Circuits	Dim.A± $\frac{.008}{0.20}$	Dim.B± $\frac{.008}{0.20}$	Dim.C± $\frac{.008}{0.20}$
4	.685 17.40	.165 4.20	.535 13.60	6	.850 21.60	.330 8.40	.701 17.80	10	1.181 30.00	.660 16.80	1.031 26.20
14	1.512 38.40	.990 25.20	1.362 34.60	18	1.843 46.80	1.320 33.60	1.693 43.00	24	2.339 59.40	1.820 46.20	2.189 55.60