

## Chip Carrier Sockets. SMT Type

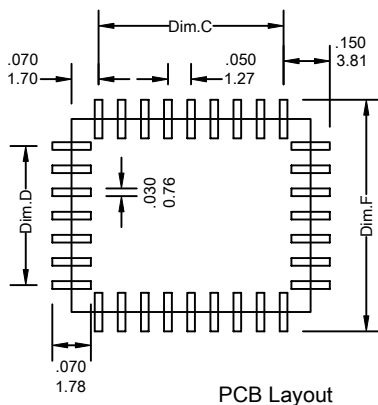
### 101-S Series

#### ELECTRICAL CHARACTERISTICS:

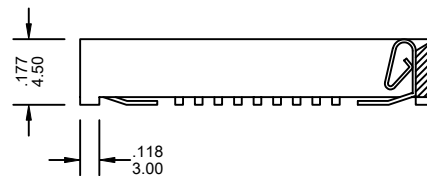
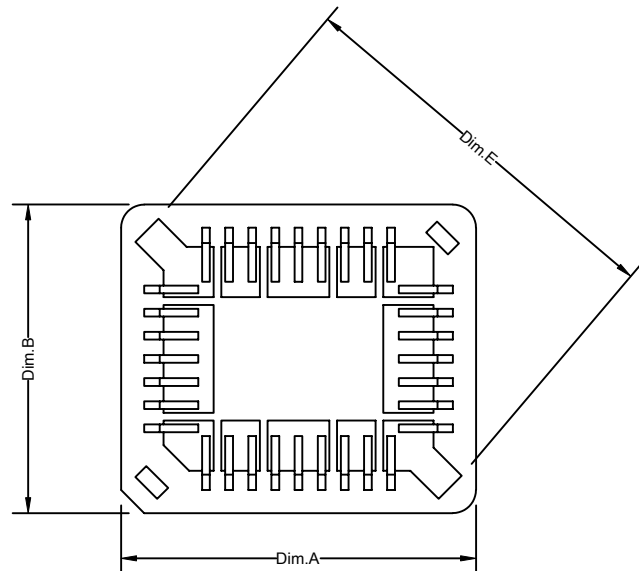
- . Contact material: Phosphor Bronze
- . Insulation: PPS W Glass-Fiber 40% (UL94V-0)
- . Current rating: Current: DC 1A  
Duration: 30 min

#### DIELECTRIC:

- . Withstanding voltage: Voltage: 600V AC  
Duration: 1 min
- . Contact resistance: Voltage: 200 MV  
Current: 1A  
Requirement: 20 milliohm max
- . Insulation resistance: Voltage: 500V DC  
Duration: 1 min  
Requirement: 1000 megohms min
- . Temperature range: -40°C ~ +105°C
- . Contact plating: Tin or Gold over nickel



UNIT: INCH  
MM



### Ordering Information 101-S Series

Series No.	No. of Contacts	Contact Plating	
101-S	68P	T	PB
101-S Series	20P 52P 28P 68P 32P 84P 44P	T: Tin S1: Gold Flash S5: 5u" Gold S10: 10u" Gold S15: 15u" Gold S30: 30u" Gold [S: Selective Gold]	RoHs

### Dimensional Information

Dimension	Circuits							
		20	28	32	44	52	68	84
Dim.A±	.010 0.25	.600 15.24	.700 17.78	.817 20.74	.917 23.28	1.000 25.40	1.213 30.82	1.413 35.90
Dim.B±	.010 0.25	.600 15.24	.700 17.78	.715 18.20	.917 23.28	1.000 25.40	1.213 30.82	1.413 35.90
Dim.C±	.010 0.25	.200 5.08	.300 7.62	.400 10.16	.500 12.70	.600 15.24	.800 20.32	1.000 25.40
Dim.D±	.010 0.25	.200 5.08	.300 7.62	.300 7.62	.500 12.70	.600 15.24	.800 20.32	1.000 25.40
Dim.E±	.010 0.25	.658 16.70	.799 20.30	.896 22.76	1.104 28.05	1.224 31.10	1.508 38.30	1.791 45.50
Dim.F±	.010 0.25	.500 12.70	.600 15.24	.650 16.51	.800 20.32	.900 22.86	1.100 27.94	1.300 33.02