

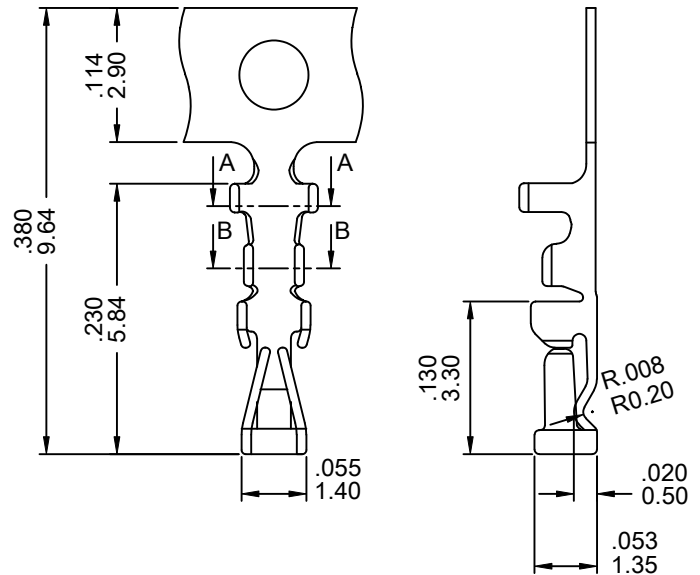
1000-T Series

FEATURES:

- 1000-T Series Mates with VEN [1000] and [2000] Series female connector
- Accepts AWG 22-30 wire range
- Material is Phos. Bronze
- Qty/Reel: 10K PCS

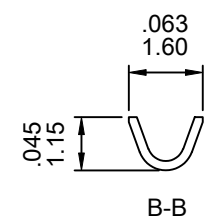
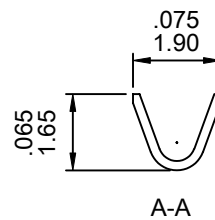
UNIT: INCH
MM

Wire Gauge (AWG)	22	24	26	28	30
Pull Out Force (lb)	10	8	6	4	3



Ordering Information 1000-T Series

Series No.	Material	Contact Plating	No.	
1000-T	PS	T	1	PB
1000-T Series	PS: Phos. Bronze	T: Tin S1: Gold Flash S5: 5u" Gold S10: 10u" Gold S15: 15u" Gold S30: 30u" Gold [S: Selective Gold]	1,2,3	RoHs
1000-T Series 01P~06P Applicable No.1 07P~15P Applicable No.2 15P~80P Applicable No.3				



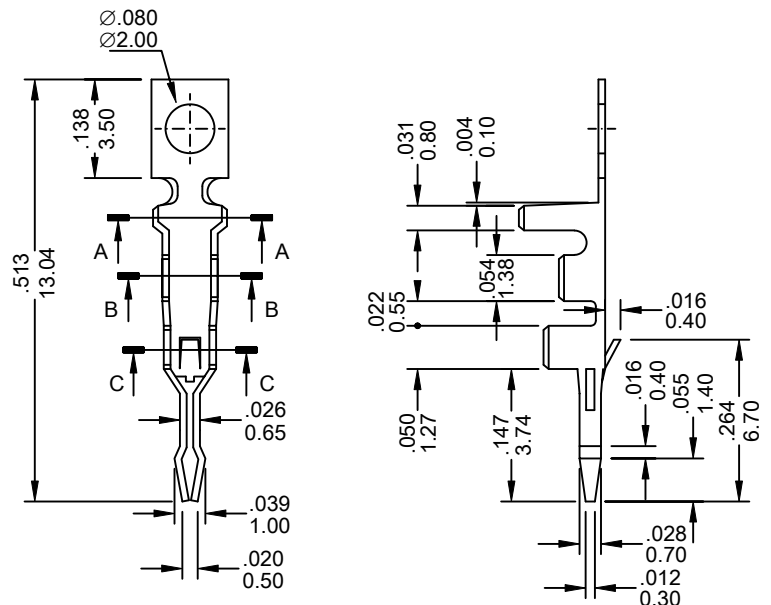
3800-T Series

FEATURES:

- Mates with VEN [3800] Series Female connector
- Accepts AWG 24-30 wire range
- Material is Brass
- Qty/Reel: 10K PCS

UNIT: INCH
MM

Wire Gauge (AWG)	24	26	28	30
Pull Out Force (lb)	8	6	4	3



Ordering Information 3800-T Series

Series No.	Material	Contact Plating	
3800-T	BS	T	PB
3800-T Series	BS: Brass	T: Tin S1: Gold Flash S5: 5u" Gold S10: 10u" Gold S15: 15u" Gold S30: 30u" Gold [S: Selective Gold]	RoHs

