

# 0.05" (1.27mm) Compact Flash Card

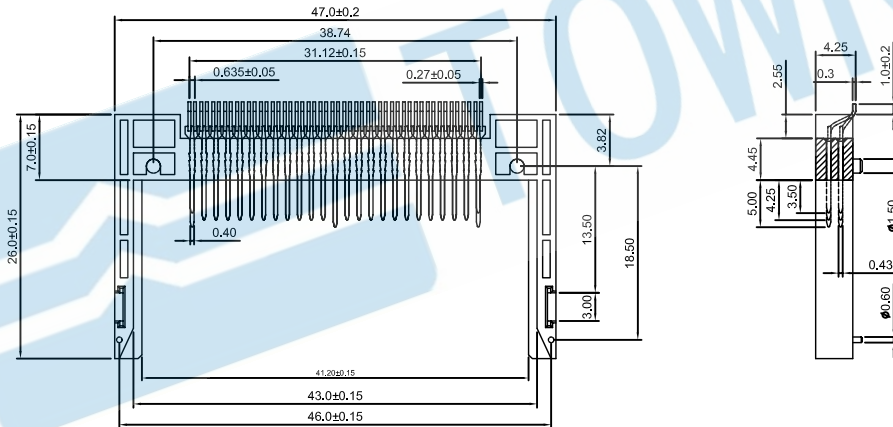
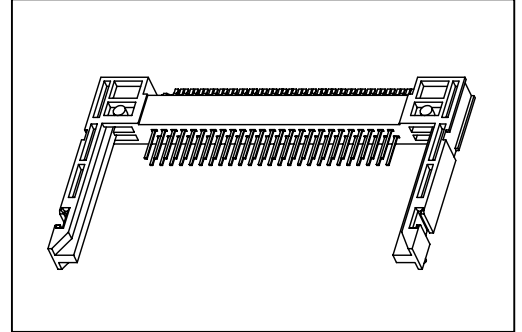
## SMT TYPE HDIGHT 4.25mm

### Specifications

Current Rating:0.5 Amp  
 Voltage Rating:100V AC/DC  
 Contact resistance:40m Ohm Max  
 Insulator resistance:1,000M ohm min.  
 Withstanding Voltage:500V AC/Minute  
 Operating Temperature Range:-20°~+60° C

### Material And Finish

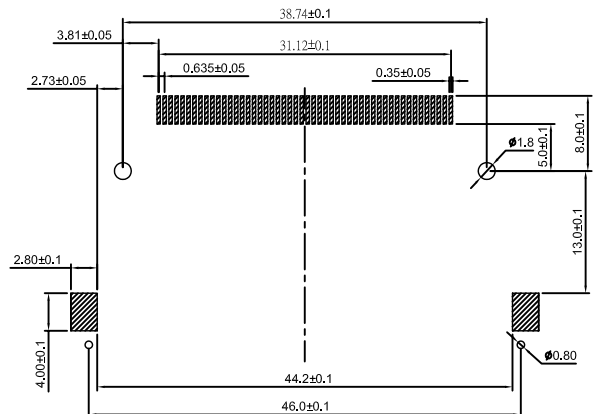
Insulator:Polyester(UL 94V-0)  
 Standard : LCP  
 Contact:Copper Alloy  
 Contact Plated: Gold plated(standard)



### How To Order

871-504251-XX

- 01:Gold Plated 5u"
- 02:Gold Plated 10u"
- 03:Gold Plated 30u"



Recommended PCB Layout