



TECORP-GROUP

# HC2-E1000 AC MOTOR DRIVE



## Operation Guidance

### § Notice:

1. The AC motor drive is applied for general three-phase motor and speed adjustment.
2. Please ensure that the installation environment has safety equipments.
3. This product is not able to be used to a motor for non-industrial purpose.
4. The warranty will not cover artificial causes.



**MODEL: HC201D5E24A**  
**INPUT: 3PH 220V 50HZ/60HZ**  
**OUTPUT: 3PH 220V 7.0A 150% 60S**  
**FREQ RANGE: 0.1-400HZ 1.5KW**

## Model Description

HC2 01D5 E 24 F

- Version: F (overseas version)
- Voltage: 24 (AC 200 -240V)  
48 (AC 380-460V)
- Model E1000
- Capacity: 0.4-0.15KW
- Series Name

## Dimensions (unit:mm)

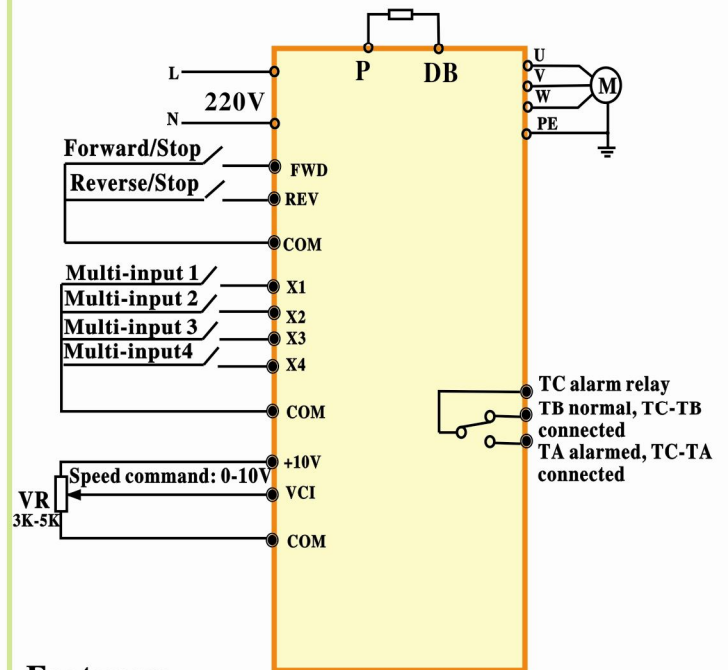
§ The external tray of operation panel is 75.5mm \* 54.5mm in size.

| Model       | L     | W   | H     | L1    | W1   | Hole Diameter | Net KG | Gross KG |
|-------------|-------|-----|-------|-------|------|---------------|--------|----------|
| HC200D4E24A | 141.5 | 85  | 113   | 130.5 | 74   | 5             | 0.82   | 1.0      |
| HC20D75E24A |       |     |       |       |      |               |        |          |
| HC201D5E24A |       |     |       |       |      |               |        |          |
| HC20D75E48A | 151   | 100 | 111.7 | 139.6 | 88.6 | 5.2           | 1.1    | 1.3      |
| HC201D5E48A |       |     |       |       |      |               |        |          |
| HC202D2E48A |       |     |       |       |      |               |        |          |

# Specification

| Items            |                          | Description  |
|------------------|--------------------------|--|
| Input            | Rated Voltage, Frequency | 1/3-phase -220V~50/60Hz  |
|                  | Allowable Voltage        | 1/3-phase -170~240V  |
| Output           | Allowable Voltage        | 1/3-phase- 170~240V  |
|                  | Frequency                | 0.10~400.0Hz   |
| Control Mode     |                          | V/F control  |
| Display          |                          | Five-digit LED display, Indicator display; Display setup frequency, Output frequency, Output current, DC voltage, Module temperature, Running state, and fault |
| Control Function | Frequency Setup          | Digital setting: 0.01 Hz. Analog setup: 0.1% of maximum output frequency   |
|                  | Frequency Accuracy       | 0.1Hz  |
|                  | V/F Control              | Changeable V/F curve by setting  |
|                  | Torque Control           | Auto raising torque by loading condition; Manual increase: enable to set 0 to 20 % of raising torque   |
|                  | Input Terminal           | 4 multi-function input, take 15 speed control, process, 2 sets of acceleration/deceleration  |
|                  | Output Terminal          | 1 set of alarm   |
| Other Function   |                          | Analog input 0~10V, 8 steps of multi-speed, auto stable voltage  |

## Basic Wiring Diagram



### Features:

- 1.Fujitsu CPU and Mitsubishi / Fairchild IGBT
- 2.Economical, Easy and Simple Model

## Products Range

| Model       | Input                   | Output Power | Rated Capacity | Output Current | Overload ability | Suitable Motor |
|-------------|-------------------------|--------------|----------------|----------------|------------------|----------------|
|             |                         |              | KVA            | (A)            | (60s)(A)         | KW             |
| HC200D4E24A | 1/3 Phrase 220V-50/60Hz | 0.4          | 1.0            | 2.5            | 3.75             | 0.4            |
| HC20D75E24A | 1/3 Phrase 220V-50/60Hz | 0.75         | 2.0            | 5.0            | 7.5              | 0.75           |
| HC201D5E24A | 1/3 Phrase 220V-50/60Hz | 1.5          | 2.8            | 7.0            | 10.5             | 1.5            |
| HC20D75E48A | 3-Phrase380V-50/60Hz    | 0.75         | 2.2            | Under Develop  |                  |                |
| HC201D5E48A | 3-Phrase380V-50/60Hz    | 1.5          | 3.2            |                |                  |                |
| HC202D2E48A | 3-Phrase380V-50/60Hz    | 2.2          | 4.0            |                |                  |                |

## TECORP Electronics Co., Ltd.

3F-3, No.12, Lane 609, Sec.5, Chung Hsin Rd.,  
 San Chung Dist., New Taipei City, Taiwan  
 Tel: +886-2-29991466  
 Fax: +886-2-29992691  
<http://www.tecorp-group.com.tw>  
 E-mail:tecorp@ms11.hinet.net

Due to ongoing product modification/improvement, data subject to change without notice.