

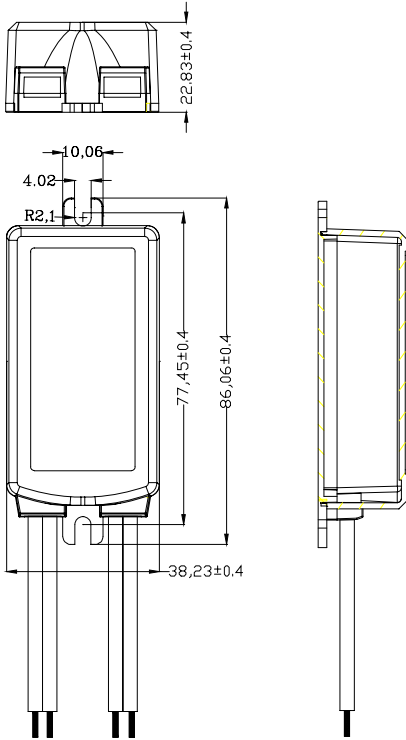
TDC Power Products Co.,Ltd
Cheng Yen Electronic Co.,Ltd

SC6D-240-0350

INPUT VOLTAGE : 120VAC
OUTPUT CURRENT : 350mA DC(1W LED 2-6 PCS)

SWITCHING POWER SUPPLY SPECIFICATION REV:1-1

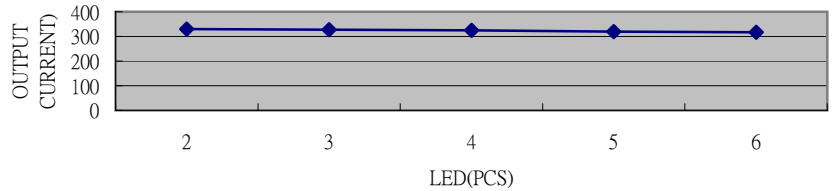
Drawing:



ELECTRONICAL SPECIFICATION

INPUT VOLTAGE : 120 Vac INPUT RANGE VOLTAGE 90~132 Vac
 INPUT FREQUENCY : 60 Hz INPUT RANGE FREQUENCY 57~63 Hz
 INPUT CURRENT : 0.15 Amp. rms. 120 Vac
 INRUSH CURRENT : 5 Amp. peak at 120 Vac
 Tested At Max. load 25°C , Cold start
 CONSTANT CURRENT Min: (2LED)350mA Typ.Range(300~375)mA Test at25°C Cold start.
 CONSTANT CURRENT Max: (6LED)350mA Typ.Range(300~375)mA Test at25°C Cold start.
 STANDBY POWER: 0.3 W Max
 POWER FACTOR : 0.9 Min. For 6 pcs 1W LED Full Load at 120 Vac 60 Hz.
 POWER EFFICIENCY : 67.5% Min. at 120 Vac 60 Hz, at 6 pcs led.
 OVER CURRENT PROTECTION , SHORT CIRCUIT PROTECTION

1W LED 2 ~ 6 PCS VS OUTPUT CURRENT



MECHANICAL SPECIFICATION

Dimensions : 86.06 (L) * 38.2 (W) * 22.83(H)mm (Tolerance as drawing)
 Weight : 87 g Max.
 Operating Temperature : 0°C To 40°C
 Storage Temperature : -15°C To 50°C
 40°C ± 2°C
 MTBF: 50,000 hrs to MIL-HDBK-217F Warranty: 2 years

Input Cable : 1316 22# 105°C
Black/White
162*10mm S/T

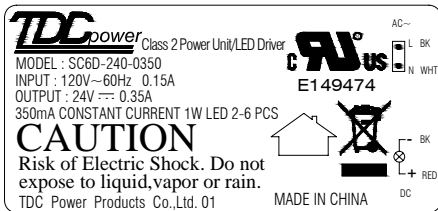
Output Cable : 1015 22# 105°C
Black/Rde 162*10mm
S/T

STANDARD

Safty:UL1310.
RELATIVE HUMIDITY 85% RH. Non-condensing

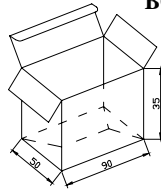
LABEL:

SIZE:54.5*25.7mm



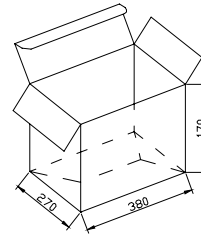
INNER BOX:

Material: WEB
 BOX: 90*50*35mm



CARTON:380*270*170mm

Material:K=A No Nail
 QTY: 100 PCS
 N.W.: 8.7 KGS
 G.W.: 10.7 KGS
 MEAS: 0.62 CUFT



photo

