

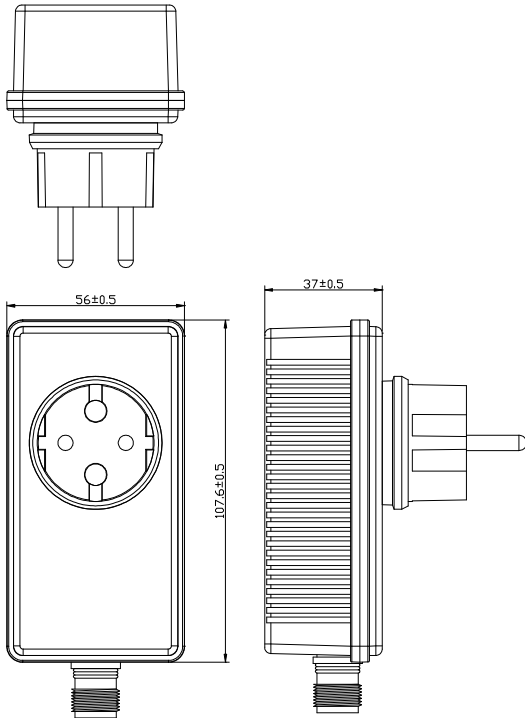
**TDC Power Products Co.,Ltd**  
**Cheng Yen Electronic Co.,Ltd**

**SA8E-320-0630WMT**

**INPUT VOLTAGE : 220~240VAC**  
**OUTPUT VOLTAGE : 32VDC**

## SWITCHING POWER SUPPLY SPECIFICATION REV:1-0

### Drawing:



### ELECTRONICAL SPECIFICATION

INPUT VOLTAGE : 220~240 Vac    INPUT RANGE VOLTAGE 200~264 Vac  
 INPUT FREQUENCY : 50 Hz    INPUT RANGE FREQUENCY 47~53 Hz  
 INPUT CURRENT : 0.3 Amp. rms. at 240 Vac  
 INRUSH CURRENT : 50 Amp. peak at 240 Vac  
 Tested At Max. load 25°C , Cold start

OUTPUT VOLTAGE : 32 V  
 REGULATION : ±5 %  
 MIN. LOAD CURRENT : 0 A    MAX LOAD CURRENT: 0.63 A  
 LOOP 1 LOAD CURRENT : 0.1575 A  
 LOOP 2 LOAD CURRENT : 0.1575 A  
 LOOP 3 LOAD CURRENT : 0.1575 A  
 LOOP 4 LOAD CURRENT : 0.1575 A  
 TOTAL OUTPUT : 20.1 W  
 POWER EFFICIENCY : 80% Min. at 230 Vac 50 Hz, Max. load.  
 OVER CURRENT PROTECTION , SHORT CIRCUIT PROTECTION(LATCHED SHUTDOWN)  
 TOTAL POWER PROTECTION : 40 W  
 OVER VOLTAGE PROTECTION : 36 Vdc Max.  
 TRANSFORMER BUILD 8 FUNCTIONAL CONTROLLER  
 1.COMBINATION 2.IN WAVES 3.SEQUENTIAL 4.SLO GLO  
 5.CHASING/FLASH 6.SLOW FADE 7.TWINKLE/FLASH 8.STEADY ON

### MECHANICAL SPECIFICATION

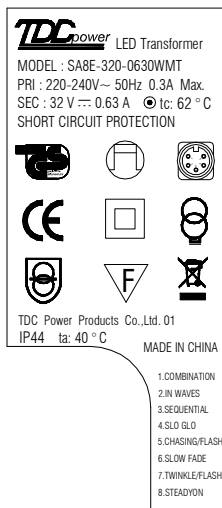
Dimensions : 107.6 (L) \* 56 (W) \* 37 (H)mm (Tolerance as drawing)  
 Weight : 240 g Max.  
 Operating Temperature : 0°C To 40°C  
 Storage Temperature : -15°C To 50°C  
 Relative Temperature : 40°C ± 2°C  
 MTBF: 50,000 hrs to MIL-HDBK-217F    Warranty: 2 years

**Input Cable : DIRECT PLUG-IN**

**Output Cable : 5Pin Φ2.35 waterproof Female socket BK**

**LABEL:**

SIZE:40\*91.9mm



### STANDARD

Safty:EN61347-1,EN61347-2-11,EN61347-2-13; EMC:EN61547,EN55015,EN61000-3-2,EN61000-3-3.

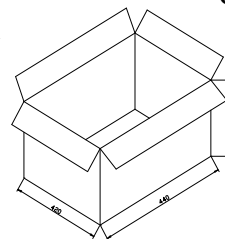
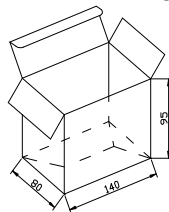
**RELATIVE HUMIDITY 85% RH. Non-condensing**

**INNER BOX:**

**Material: WEB**  
**BOX: 140\*80\*95mm**

**CARTON: 440\*420\*400 mm**

**Material:K=A No Nail**  
**Q'TY: 60 PCS**  
**N.W.: 14.4 KGS**  
**G.W.: 16.4 KGS**  
**MEAS: 2.61 CUFT**



**photo**

