

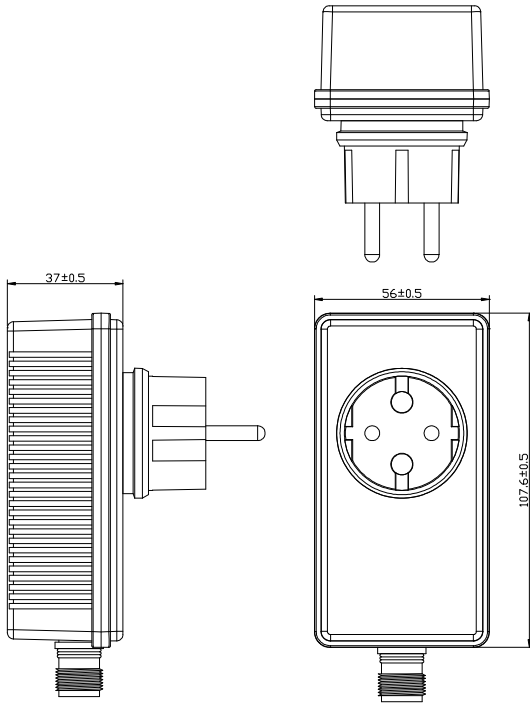
TDC Power Products Co.,Ltd
Cheng Yen Electronic Co.,Ltd

SA8E-320-0400WPMT

INPUT VOLTAGE : 220~240VAC
OUTPUT VOLTAGE : 32VDC

SWITCHING POWER SUPPLY SPECIFICATION REV:A

Drawing:



ELECTRONICAL SPECIFICATION

INPUT VOLTAGE : 220~240 Vac INPUT RANGE VOLTAGE 200~264 Vac
INPUT FREQUENCY : 50 Hz INPUT RANGE FREQUENCY 47~53 Hz
INPUT CURRENT : 0.1 Amp. rms. at 240 Vac
INRUSH CURRENT : 80 Amp. peak at 240 Vac
Tested At Max. load 25°C , Cold start

OUTPUT VOLTAGE : 32 V
REGULATION : ±5 %
MIN. LOAD CURRENT : 0 A MAX LOAD CURRENT: 0.4 A
LOOP 1 LOAD CURRENT : 0.1 A
LOOP 2 LOAD CURRENT : 0.1 A
LOOP 3 LOAD CURRENT : 0.1 A
LOOP 4 LOAD CURRENT : 0.1 A
TOTAL OUTPUT : 12.8 W

POWER FACTOR ≥ 0.85 at 230 Vac /50 Hz Full Load .Meets IEC61000-3-2 Harmonic Class C
POWER EFFICIENCY : 77% Min. at 230 Vac 50 Hz, Max. load.
OVER CURRENT PROTECTION , SHORT CIRCUIT PROTECTION(LATCHED SHUTDOWN)
TOTAL POWER PROTECTION : 45 W
OVER VOLTAGE PROTECTION : 36 Vdc Max.
TRANSFORMER BUILD 8 FUNCTIONAL CONTROLLER
1.COMBINATION 2.IN WAVES 3.SEQUENTIAL 4.SLO GLO
5.CHASING/FLASH 6.SLOW FADE 7.TWINKLE/FLASH 8.STEADY ON

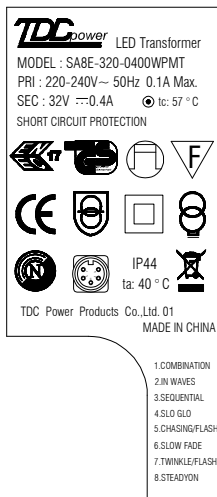
MECHANICAL SPECIFICATION

Dimensions : 107.6 (L) * 56(W) * 37(H)mm (Tolerance as drawing)
Weight : 255 g Max.
Operating Temperature : 0°C To 40°C
Storage Temperature : -15°C To 50°C
Relative Temperature : 40°C ± 2°C
MTBF: 50,000 hrs to MIL-HDBK-217F Warranty: 2 years

Input Cable : DIRECT PLUG-IN

Output Cable : 5Pin Φ2.35 waterproof Female socket BK

LABEL: SIZE:40*91.9mm



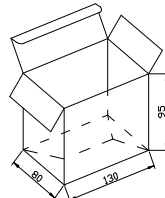
STANDARD

Safety:EN61347-1,EN61347-2-11,EN61347-2-13; EMC:EN61547,EN55015,EN61000-3-2,EN61000-3-3.

RELATIVE HUMIDITY 85% RH. Non-condensing

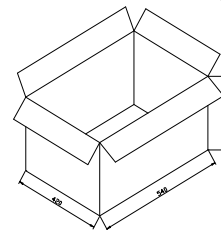
INNER BOX:

Material: WEB
BOX: 130*80*95mm



CARTON: 540*420*305mm

Material:K=A No Nail
Q'TY: 60 PCS
N.W.: 12.9 KGS
G.W.: 15.3 KGS
MEAS: 2.44 CUFT



photo

