

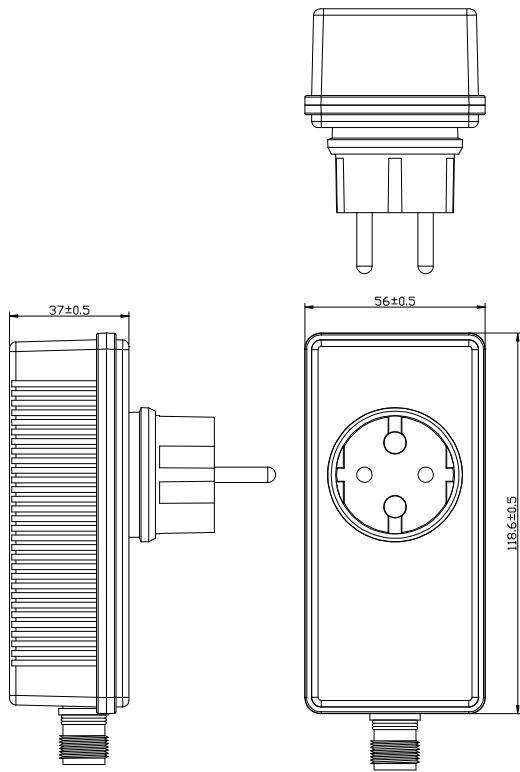
TDC Power Products Co.,Ltd  
Cheng Yen Electronic Co.,Ltd

SA8E-280-0900WPMT

INPUT VOLTAGE : 220~240VAC  
OUTPUT VOLTAGE : 28VDC

## SWITCHING POWER SUPPLY SPECIFICATION REV:A

### Drawing:



### ELECTRONICAL SPECIFICATION

INPUT VOLTAGE : 220~240 Vac INPUT RANGE VOLTAGE 200~264 Vac  
 INPUT FREQUENCY : 50 Hz INPUT RANGE FREQUENCY 47~53 Hz  
 INPUT CURRENT : 0.2 Amp. rms. at 240 Vac  
 INRUSH CURRENT : 80 Amp. peak at 240 Vac  
 Tested At Max. load 25°C , Cold start

OUTPUT VOLTAGE : 28 V  
 REGULATION : ±5 %  
 MIN. LOAD CURRENT : 0 A MAX LOAD CURRENT: 0.9 A  
 LOOP 1 LOAD CURRENT : 0.225 A  
 LOOP 2 LOAD CURRENT : 0.225 A  
 LOOP 3 LOAD CURRENT : 0.225 A  
 LOOP 4 LOAD CURRENT : 0.225 A  
 TOTAL OUTPUT : 25 W  
 POWER EFFICIENCY : 80% Min. at 230 Vac 50 Hz, Max. load.  
 POWER FACTOR ≥ 0.80 at 230 Vac /50 Hz Full Load .Meets IEC61000-3-2 Harmonic Class C  
 OVER CURRENT PROTECTION , SHORT CIRCUIT PROTECTION(LATCHED SHUTDOWN)  
 TOTAL POWER PROTECTION : 60 W  
 OVER VOLTAGE PROTECTION : 36 Vdc Max.  
 TRANSFORMER BUILD 8 FUNCTIONAL CONTROLLER  
 1.COMBINATION 2.IN WAVES 3.SEQUENTIAL 4.SLO GLO  
 5.CHASING/FLASH 6.SLOW FADE 7.TWINKLE/FLASH 8.STEADY ON

### MECHANICAL SPECIFICATION

Dimensions : 118.6(L) \* 56(W) \*37(H)mm (Tolerance as drawing)  
 Weight : 310 g Max.  
 Operating Temperature : 0°C To 40°C  
 Storage Temperature : -15°C To 50°C  
 Relative Temperature : 40°C ± 2°C  
 MTBF: 50,000 hrs to MIL-HDBK-217F Warranty: 2 years

Input Cable : DIRECT PLUG-IN

Output Cable : 5Pin Φ2.35 waterproof  
Female socket BK

LABEL: SIZE:40\*102.6mm



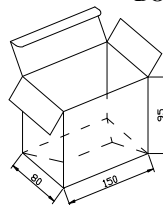
### STANDARD

Safety:EN61347-1,EN61347-2-11,EN61347-2-13; EMC:EN61547,EN55015,EN61000-3-2,EN61000-3-3.

RELATIVE HUMIDITY 85% RH. Non-condensing

### INNER BOX:

Material: WEB  
BOX: 150\*80\*95mm



CARTON: 470\*420\*400 mm

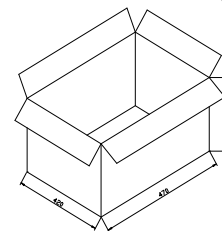
Material:K=A No Nail

QTY: 60 PCS

N.W.: 18.6 KGS

G.W.: 21.0 KGS

MEAS: 2.79 CUFT



### photo

