

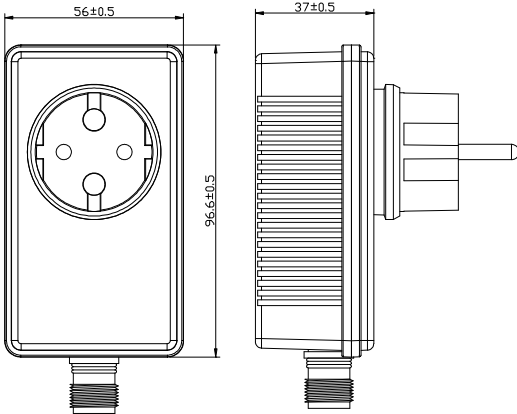
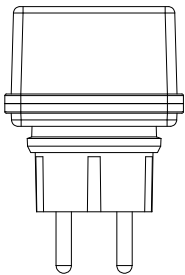
TDC Power Products Co.,Ltd
Cheng Yen Electronic Co.,Ltd

SA8E-280-0430WMT

INPUT VOLTAGE : 220~240VAC
OUTPUT VOLTAGE : 28VDC

SWITCHING POWER SUPPLY SPECIFICATION REV:1-0

Drawing:



ELECTRONICAL SPECIFICATION

INPUT VOLTAGE : 220~240 Vac INPUT RANGE VOLTAGE 200~264 Vac
 INPUT FREQUENCY : 50 Hz INPUT RANGE FREQUENCY 47~53 Hz
 INPUT CURRENT : 0.197 Amp. rms. at 240 Vac
 INRUSH CURRENT : 50 Amp. peak at 240 Vac
 Tested At Max. load 25°C , Cold start

OUTPUT VOLTAGE : 28 V
 REGULATION : ± 5 %
 MIN. LOAD CURRENT : 0 A MAX LOAD CURRENT: 0.43 A
 LOOP 1 LOAD CURRENT : 0.1075 A
 LOOP 2 LOAD CURRENT : 0.1075 A
 LOOP 3 LOAD CURRENT : 0.1075 A
 LOOP 4 LOAD CURRENT : 0.1075 A
 TOTAL OUTPUT : 12 W
 POWER EFFICIENCY : 72.3% Min. at 200~240 Vac 50 Hz, Max. load.
 OVER CURRENT PROTECTION , SHORT CIRCUIT PROTECTION(LATCHED SHUTDOWN)
 OVER POWER PROTECTION : 35 W
 OVER VOLTAGE PROTECTION : 33 Vdc Max.
 TRANSFORMER BUILD 8 FUNCTIONAL CONTROLLER
 1.COMBINATION 2.IN WAVES 3.SEQUENTIAL 4.SLO GLO
 5.CHASING/FLASH 6.SLOW FADE 7.TWINKLE/FLASH 8.STEADY ON

MECHANICAL SPECIFICATION

Dimensions : 96.6(L) * 56 (W) *37(H)mm (Tolerance as drawing)
 Weight : 215 g Max.
 Operating Temperature : 0°C To 40°C
 Storage Temperature : -15°C To 50°C
 Relative Temperature : 40°C ± 2°C
 MTBF: 50,000 hrs to MIL-HDBK-217F Warranty: 2 years

Input : DIRECT PLUG-IN

Output : 5Pin Φ2.35 waterproof
 Female socket BK

LABEL: SIZE:40*80.7mm

TDCpower LED Transformer
 MODEL : SA8E-280-0430WMT
 PRI : 220-240V ~ 50Hz 0.197A Max.
 SEC : 28 V ~ 0.43 A tc: 60 °C
 SHORT CIRCUIT PROTECTION ta: 40 °C

TDC Power Products Co.,Ltd. 01 IP44
 MADE IN CHINA
 1.COMBINATION
 2.IN WAVES
 3.SEQUENTIAL
 4.SLO GLO
 5.CHASING/FLASH
 6.SLOW FADE
 7.TWINKLE/FLASH
 8.STEADYON

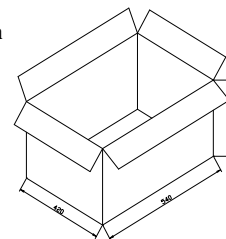
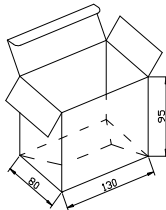
STANDARD

Safety:EN61347-1,EN61347-2-11,EN61347-2-13; EMC:EN61547,EN55015,EN61000-3-2,EN61000-3-3.

RELATIVE HUMIDITY 85% RH. Non-condensing

INNER BOX:

Material: WEB
BOX: 130*80*95mm



CARTON: 540*420*305mm

Material:K=A No Nail
QTY: 60 PCS
N.W.: 13 KGS
G.W.: 15 KGS
MEAS: 2.44 CUFT

photo

