

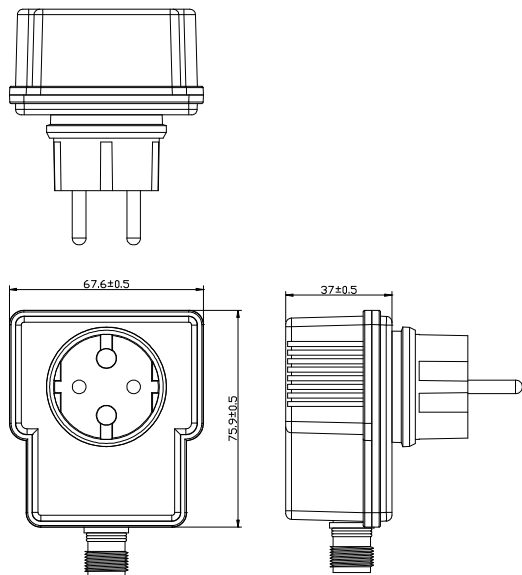
TDC Power Products Co.,Ltd
Cheng Yen Electronic Co.,Ltd

SA8E-240-0300WMT

INPUT VOLTAGE : 220~240VAC
OUTPUT VOLTAGE : 24VDC

SWITCHING POWER SUPPLY SPECIFICATION REV:1-0

Drawing:



ELECTRONICAL SPECIFICATION

INPUT VOLTAGE : 220~240 Vac INPUT RANGE VOLTAGE 200~264 Vac
 INPUT FREQUENCY : 50 Hz INPUT RANGE FREQUENCY 47~53 Hz
 INPUT CURRENT : 0.127 Amp. rms. at 240 Vac
 INRUSH CURRENT : 30 Amp. peak at 240 Vac
 Tested At Max. load 25°C , Cold start

OUTPUT VOLTAGE : 24 V
 REGULATION : ±5 %
 MIN. LOAD CURRENT : 0 A MAX LOAD CURRENT: 0.3 A
 LOOP 1 LOAD CURRENT : 0.075 A
 LOOP 2 LOAD CURRENT : 0.075 A
 LOOP 3 LOAD CURRENT : 0.075 A
 LOOP 4 LOAD CURRENT : 0.075 A
 TOTAL OUTPUT : 7.2 W
 POWER EFFICIENCY : 67.7% Min. at 230 Vac 50 Hz, Max. load.

OVER CURRENT PROTECTION , SHORT CIRCUIT PROTECTION(LATCHED SHUTDOWN)
 OVER POWER PROTECTION : 18 W
 OVER VOLTAGE PROTECTION : 30 Vdc Max.
 TRANSFORMER BUILD 8 FUNCTIONAL CONTROLLER
 1.COMBINATION 2.IN WAVES 3.SEQUENTIAL 4.SLO GLO
 5.CHASING/FLASH 6.SLOW FADE 7.TWINKLE/FLASH 8.STEADY ON

MECHANICAL SPECIFICATION

Dimensions : 75.9(L) * 67.6 (W) *37(H)mm (Tolerance as drawing)
 Weight : 185 g Max.
 Operating Temperature : 0°C To 40°C
 Storage Temperature : -15°C To 50°C
 Relative Temperature : 40°C ± 2°C
 MTBF: 50,000 hrs to MIL-HDBK-217F Warranty: 2 years

STANDARD

Safety:EN61347-1,EN61347-2-11,EN61347-2-13; EMC:EN61547,EN55015,EN61000-3-2,EN61000-3-3.

Input Cable : DIRECT PLUG-IN

Output Cable : 5Pin Φ2.35 waterproof Female socket BK

RELATIVE HUMIDITY 85% RH. Non-condensing

INNER BOX:

Material: WEB

BOX: 108*80*95mm

CARTON: 452*420*305mm

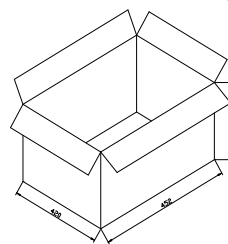
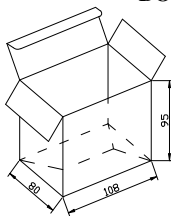
Material:K=A No Nail

Q'TY: 60 PCS

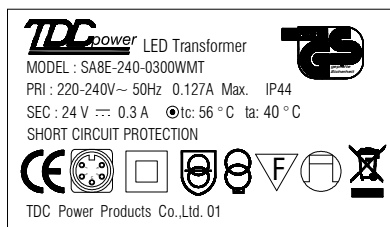
N.W.: 11 KGS

G.W.: 13 KGS

MEAS: 2.05 CUFT



LABEL: SIZE:51.8*60.3mm



MADE IN CHINA

- 1.COMBINATION
- 2.IN WAVES
- 3.SEQUENTIAL
- 4.SLO GLO
- 5.CHASING/FLASH
- 6.SLOW FADE
- 7.TWINKLE/FLASH
- 8.STEADYON

photo

